

PRODUCT SHEET (ver.001/03.2012)



Arco



Orient



Cube



Spot

1. Name

Aqua Ambient linear shower outlet of stainless steel.

2. Product Characteristics and Intended Use

The Aqua Ambient linear shower outlet enables fast and efficient water drainage from bathrooms and other premises exposed to moisture while observing the latest style trends and architectural values of premises. The Aqua Ambient shower outlet is marked by a modern design, reliable structure and top quality. The Aqua Ambient outlets are intended for places with no vehicular traffic, such as bathrooms, changing rooms, laundries etc.

3. Technical Specification

Dimensions [mm]			Outlet pipe diameter [mm] Height	Material
Height	Width	Length		
118,5	98,5	600	50	stal nierdzewna
118,5	98,5	800	50	stal nierdzewna
118,5	98,5	1000	50	stal nierdzewna



Capricorn Quality

4. Codes

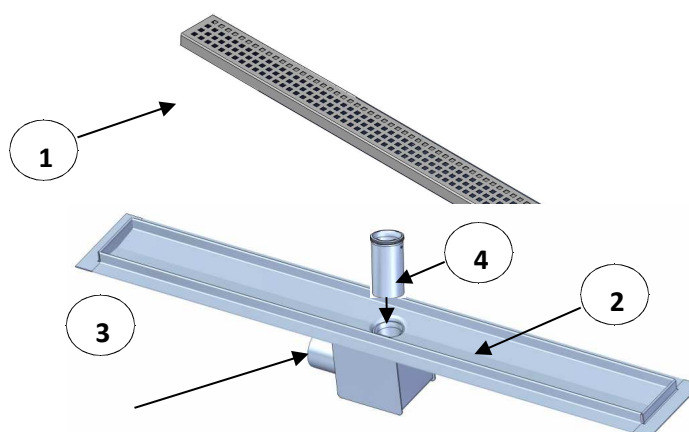
CODE	NAME	GRATE	LENGTH
9-2651-000-47-24-12	LINEAR SHOWER OUTLET AQUA AMBIENT ORIENT PHI 50 , 1000MM	ORIENT	600
9-2651-600-47-24-12	LINEAR SHOWER OUTLET AQUA AMBIENT ORIENT PHI 50 , 600MM	ORIENT	800
9-2651-800-47-24-12	LINEAR SHOWER OUTLET AQUA AMBIENT ORIENT PHI 50 , 800MM	ORIENT	1000
9-2652-000-47-24-12	LINEAR SHOWER OUTLET AQUA AMBIENT SPOT PHI 50 , 1000MM	SPOT	600
9-2652-600-47-24-12	LINEAR SHOWER OUTLET AQUA AMBIENT SPOT PHI 50 , 600MM	SPOT	800
9-2652-800-47-24-12	LINEAR SHOWER OUTLET AQUA AMBIENT SPOT PHI 50 , 800MM	SPOT	1000
9-2653-000-47-24-12	LINEAR SHOWER OUTLET AQUA AMBIENT ARCO PHI 50 , 1000MM	ARCO	600
9-2653-600-47-24-12	LINEAR SHOWER OUTLET AQUA AMBIENT ARCO PHI 50 , 600MM	ARCO	800
9-2653-800-47-24-12	LINEAR SHOWER OUTLET AQUA AMBIENT ARCO PHI 50 , 800MM	ARCO	1000
9-2654-000-47-24-12	LINEAR SHOWER OUTLET AQUA AMBIENT CUBE PHI 50 , 1000MM	CUBE	600
9-2654-600-47-24-12	LINEAR SHOWER OUTLET AQUA AMBIENT CUBE PHI 50 , 600MM	CUBE	800
9-2654-800-47-24-12	LINEAR SHOWER OUTLET AQUA AMBIENT CUBE PHI 50 , 800MM	CUBE	1000

5. Logistic Data

Product Code	Unit packaging			Pallet of 1.6m		Pallet of 2.0m	
	No. of sets per package [pcs.]	Packaging dimensions dł. x szer. x wys. [mm]	length x width x height [mm]	No. of sets per package [pcs.]	Weight [kg]	No. of sets per package [pcs.]	Weight [kg]
9-2651-000-47-24-12	1	1035x100x120		-	-	132	
9-2651-600-47-24-12	1	635x100x120		-	-	96	
9-2651-800-47-24-12	1	835x100x120		-	-	120	
9-2652-000-47-24-12	1	1035x100x120		-	-	132	
9-2652-600-47-24-12	1	635x100x120		-	-	96	
9-2652-800-47-24-12	1	835x100x120		-	-	120	
9-2653-000-47-24-12	1	1035x100x120		-	-	132	
9-2653-600-47-24-12	1	635x100x120		-	-	96	
9-2653-800-47-24-12	1	835x100x120		-	-	120	
9-2654-000-47-24-12	1	1035x100x120		-	-	132	
9-2654-600-47-24-12	1	635x100x120		-	-	96	
9-2654-800-47-24-12	1	835x100x120		-	-	120	

6. Structure and Materials Used

1. Grate
2. Body
3. Waste pipe
4. Sewer trap



The outlet structure is made of stainless steel resistant to water, steam, humid air, weak organic and mineral acids up to medium temperatures. It is versatile material assuring complete safety and durable reliability of the linear outlet operation.

7. Standards, Certificates:

PN-EN 1253 Sewage inlets in buildings



Capricorn Quality

Zaprojektowano i wykonano przez Capricorn Sp. z o.o. | Designed and manufactured by Capricorn Sp. z o.o

8. Declaration of Conformity:

03/2012

Advantages

- Fast and efficient drainage of water from the floor surface,
- High chemical and thermal resistance,
- No risk of water penetrating bathroom parts not intended for a shower basin,
- Monolithic structure – with minimised number of connections and top quality of sealing materials – ensures no risk of leakage or unsealing,
- Additional sealing flange ensure leaktightness and facilitates the assembly by prolonging the in-floor water insulation layer longevity,
- Reliable structure – once installed, the outlet creates smooth and flat surface, which enables any interior design with no needless barriers, thresholds or partitions,
- Smooth edges guarantee usage safety,
- Esthetic look – finishing of polished stainless steel enables a perfect fitting to interiors with chromium-plated elements,
- Modern design – more than a dozen of interior design possibilities due to a wide range of mountable grates,
- Possibility to change one grate pattern to another in case of interior design modifications.

9. Guarantee and Scope of Responsibility

Assembly and installation works are to be executed in accordance with Health & Safety rules provided by regulations and standards of the construction industry. Capricorn Sp. z o.o. gives statutory warranty for the linear shower outlets produced by the Company and intended for sanitary system construction, and this from the date of acquisition, on the following conditions:

Respecting the intended use of the product

1) Proper storage and maintenance, i.e.:

- a) transportation and horizontal storing on even and flat surface minimising bend and damage risks;
- b) protection against mechanical damages during loading, unloading and storing;

2) Installation by a qualified and authorised person in accordance with guidelines, standards and technical information by Capricorn in force.

10. Manufacturer:

Capricorn Sp. z o. o.

58-160 Świebodzice, Ciernie 11, Poland

phone/fax +48/74/854 05 16

www.capricorn.pl

e-mail: capricorn@capricorn.pl



Capricorn Quality