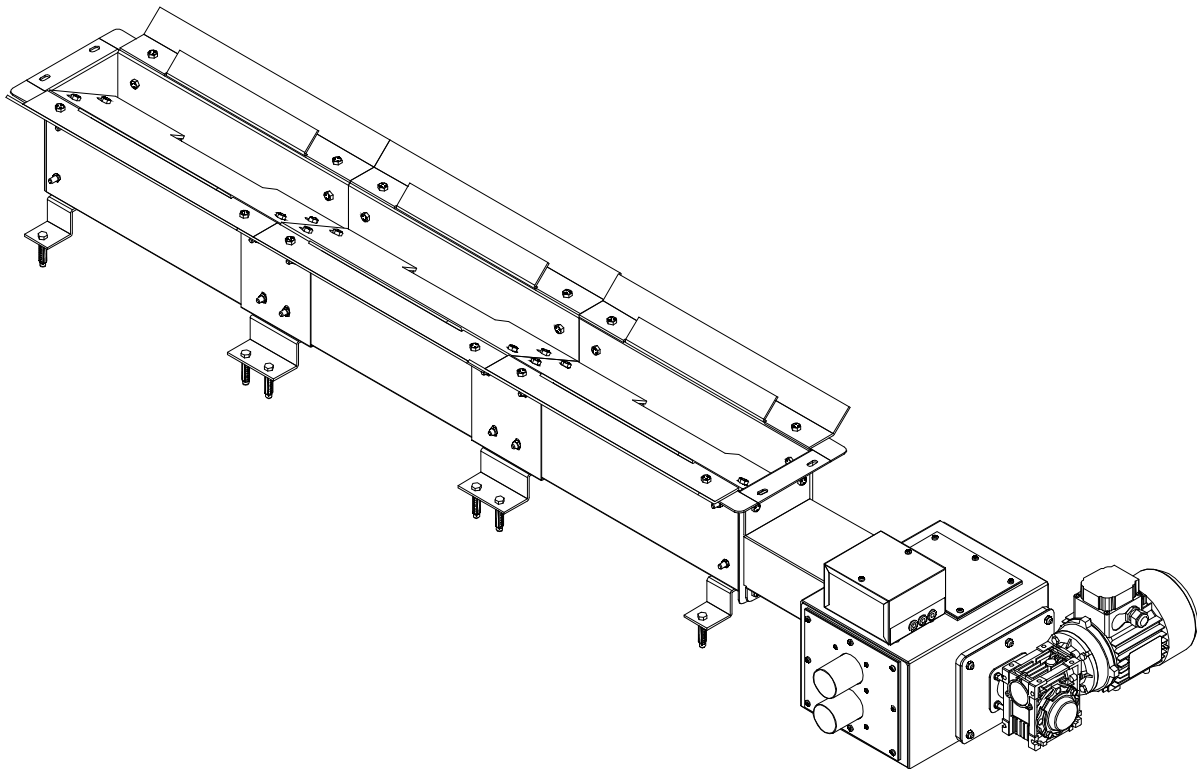


INSTALLATION AND OPERATING INSTRUCTIONS

→ AUGER FOR HOMEMADE



AENOR



Gestión
Ambiental

CGM-04/392

AENOR



Empresa
Registrada

ER-0170/1996

DOMUSA
T E K N I K

Thank you for choosing a **DOMUSA TEKNIK** heating boiler. Within the product range offered by **DOMUSA TEKNIK** you have chosen **Auger for Homemade** model. With a suitable hydraulic installation and with a correct fuel, this boiler will provide the ideal level of comfort for your home.

This manual forms an essential part of the product and it must be given to the user. We recommend you read the warnings and recommendations in the manual carefully, as they contain important information on the safety, use and maintenance of the installation.

These boilers must be installed by qualified personnel only, in accordance with the legislation in force and following the manufacturer's instructions.

Commissioning of these boilers and any maintenance operations must only be carried out by **DOMUSA TEKNIK's** Authorised Technical Assistance Services.

Incorrect installation of these boilers could result in damage to people, animals or property, and the manufacturer will hold no liability in such cases.

DOMUSA TEKNIK informs all parties concerned that, in compliance with section 1 of the first additional provision of Law 11/1997, the responsibility for delivering packaging waste or used packaging for its proper environmental management will be that of the final owner of the product (Article 18.1 Royal Decree 782/1998). At the end of its useful life, the product must be taken to a selected collection point for electrical and electronic equipment or must be returned to the distributor at the time of purchasing a new equivalent appliance. For more detailed information on the collection schemes available, contact either the collection facilities of the local authority or the distributor where the purchase was made.

INDEX

Page

1	WARNINGS AND SAFETY INSTRUCTIONS.....	2
2	LIST OF COMPONENTS.....	3
3	TOOLS REQUIRED.....	4
4	HOMEMADE PELLET STORAGE	4
4.1	LOCATION	5
4.2	CONSTRUCTION RECOMMENDATIONS FOR THE INCLINED BOTTOM SOLUTION.....	6
4.3	IMPACT PROTECTION MAT.....	7
4.4	DOORS, WINDOWS AND HATCHES	7
4.5	INBLOW AND EXHAUST PIPES.....	8
4.6	FILLING INSTRUCTIONS.....	9
5	INSTALLATION INSTRUCTIONS	10
5.1	FUEL QUALITY	10
5.2	ASSEMBLY INSTRUCTIONS.....	11
5.3	INSTALLING THE SUCTION HOSE	13
5.4	EARTH CONNECTION	16
5.5	ELECTRICAL CONNECTION.....	16
5.6	CHANGE OF MOTOR DIRECTION	16
6	OPERATION	19
6.1	OPERATION WITH CVS SUCTION SYSTEM AND BIOCLASS NG BOILER.....	19
7	START-UP	21
8	INSTALLATION DELIVERY	21
9	MAINTENANCE.....	22
9.1	SAFETY WARNINGS.....	22
10	TECHNICAL DATA.....	22
11	ELECTRICAL DIAGRAMS.....	23
11.1	ELECTRICAL DIAGRAM	23
11.2	ELECTRICAL CONNECTION FOR INSTALLATION WITH A CVS SUCTION SYSTEM.....	24
12	MEASUREMENTS	25
13	REPLACEMENT PARTS LIST	26
14	TERMS OF GUARANTEE.....	28

Auger for Homemade

1 WARNINGS AND SAFETY INSTRUCTIONS

Read this instruction manual carefully and keep it in a safe, easily-accessible place. **DOMUSA TEKNIK** will not be liable for any damages caused by failure to follow these instructions.

To guarantee optimum functioning of this kit and a long lifetime, the installation and maintenance must be carried out by qualified personnel authorised by **DOMUSA TEKNIK**. The installer is responsible for the functioning of any devices or controls not supplied with the kit.

This appliance must only be used for the purpose for which it has been expressly designed. Any other use is considered unsuitable and therefore hazardous. The manufacturer shall not be considered liable under any circumstances for damage caused by unsuitable, erroneous or irrational use.

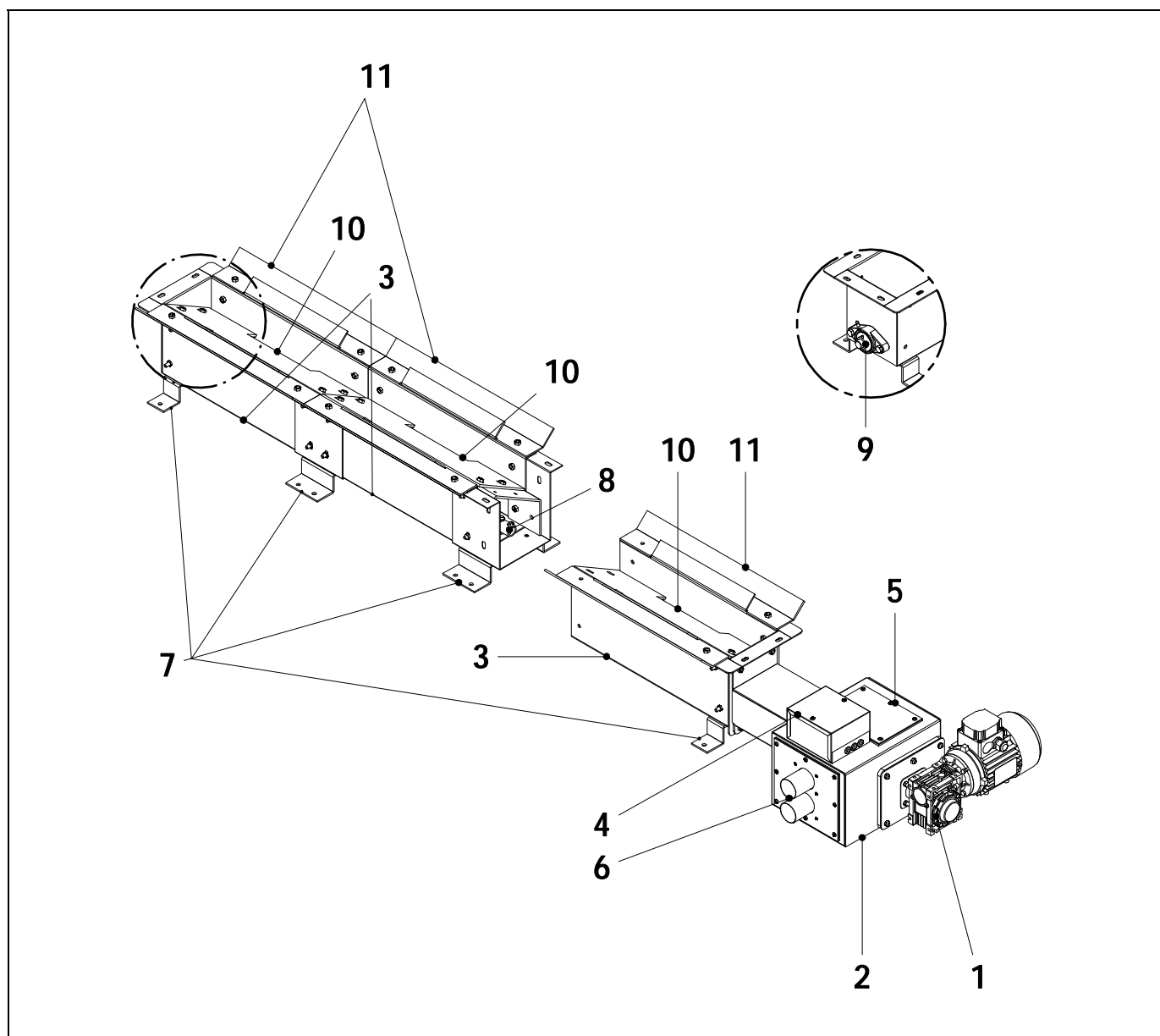
The **DOMUSA TEKNIK Auger for Homemade** has been specifically designed to transport Ø6 mm wood pellets from a homemade pellet storage to a bucket located in the **Bioclass NG** boiler's reserve tank, provided that it is installed along with a **DOMUSA TEKNIK CVS Suction System**.

During installation or before any servicing, the following indications must be complied with to prevent personal injury or material damage:

- Remove all the packaging and check the contents are all there. In the event of any doubt, do not use the kit. Contact your supplier. Keep the packaging elements out of reach of children, as they can be dangerous. Keep children away while you are working in the pellet store.
- For safety reasons, another person should always be present when you access the pellet store. If access to the store is difficult, we recommend a second person waits outside to guarantee the safety of the person entering the store, able to let them out in case of hazard without endangering their own life.
- Switch off the boiler and the pellet extraction system, and leave the access door open for at least a quarter of an hour before entering the pellet storage area.
- Should the pellet store be flooded, the groundwater, soil and/or building are not at risk of contamination; however the tank and pellet removal system could be damaged.
- The applicable fire protection regulations must be observed.
- To avoid the accumulation of electrostatic charge during the silo filling process, the filler neck must be grounded. Before filling the silo it is advisable to switch off the boiler.
- The floor anchors should be fixed with metal screws and wall plugs. It is also important to make sure that all screws have been tightened using the correct torque, and that the **Auger for Homemade** is level.
- The powder from the pellets must be regularly cleaned from the electrical and pellet transport equipment. Always use a dust mask when cleaning.
- The pellet store must be protected from any humidity that could lead to pellet compaction. This compaction can result in the pellet transport system becoming jammed, and can stop its operation.

2 LIST OF COMPONENTS

Read these instructions carefully before beginning the assembly process. Start by identifying and grouping together all the parts supplied with the kit, which are as follows:



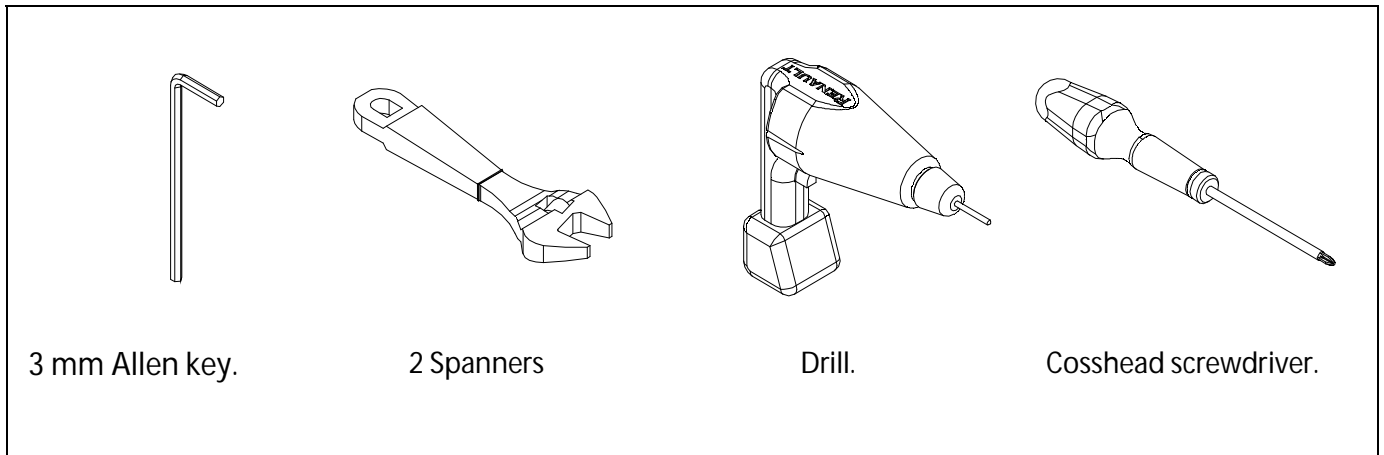
- 1 Motor
- 2 Suction box
- 3 Dragging unit
- 4 Electrical box
- 5 Inspection cover
- 6 Suction nozzle

- 7 Anchors
- 8 Worm screw
- 9 Bearing
- 10 Worm screw cover
- 11 Positioning wings

Auger for Homemade

3 TOOLS REQUIRED

The following tools should be used to assemble the **Auger for Homemade** (not supplied with the kit):



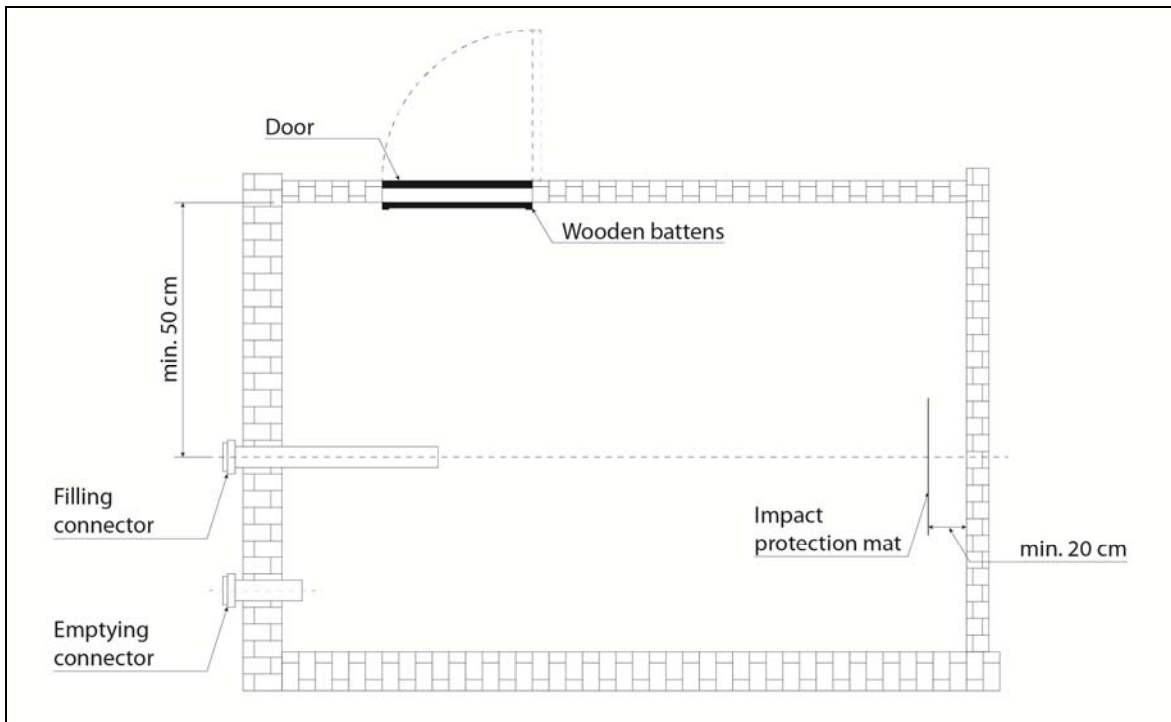
4 HOMEMADE PELLET STORAGE

The **DOMUSA TEKNIK Auger for Homemade** is designed to be installed in silo constructions. Such silo constructions support considerable weight and great care must be taken during their construction, taking safety very much into account and complying with the national, regional and local standards and regulations on this subject in force at the time and place of the installation. **In particular, the relevant codes, rules and regulations relating to building construction and fire protection must be taken into account.** Nevertheless, the following general recommendations should be met when building a silo:

- Ensure that building or other regulations permit the use of the room for storage purposes.
- Proper filling and discharge should be assured, ensuring easy access to the connections.
- The storage room should be closed-off from the rest of the building to avoid dust infiltration to adjoining rooms during blowing-in and the use of the system.
- Crossing the storage room with supply lines or air ducts should be avoided. If not avoidable, then the lines should be carefully sealed and protected.
- If the walls are damp, all contact with them should be prevented, so that the silo can have a surrounding air flow, in order to prevent condensation that could influence the quality of the pellets. Damp pellets fall apart and can also block transport lines and damage walls.
- During construction, the static loads on both the floor and the adjoining walls (in so far the construction is leaning against the walls) need to be considered. The enclosing walls should be able to resist static pressure imposed by the weight of the pellets (bulk density of ~650 kg/ m³) as well as the extra pressure during inblowing and associated pressure peaks. In some cases it may be necessary to consult a building engineer or architect.
- The inblow and discharge facilities should be professionally earthed to prevent the build-up of an electrostatic charge.
- The storage silo should not exceed twice the annual fuel consumption.

4.1 Location

DOMUSA TEKNIK recommends installing the **Auger for Homemade** in a rectangular room, being the most suitable for this type of installation. The following diagram provides an example of a silo installation in a rectangular room



NOTE: A smooth wall surface reduces damage to pellets during blowing in.

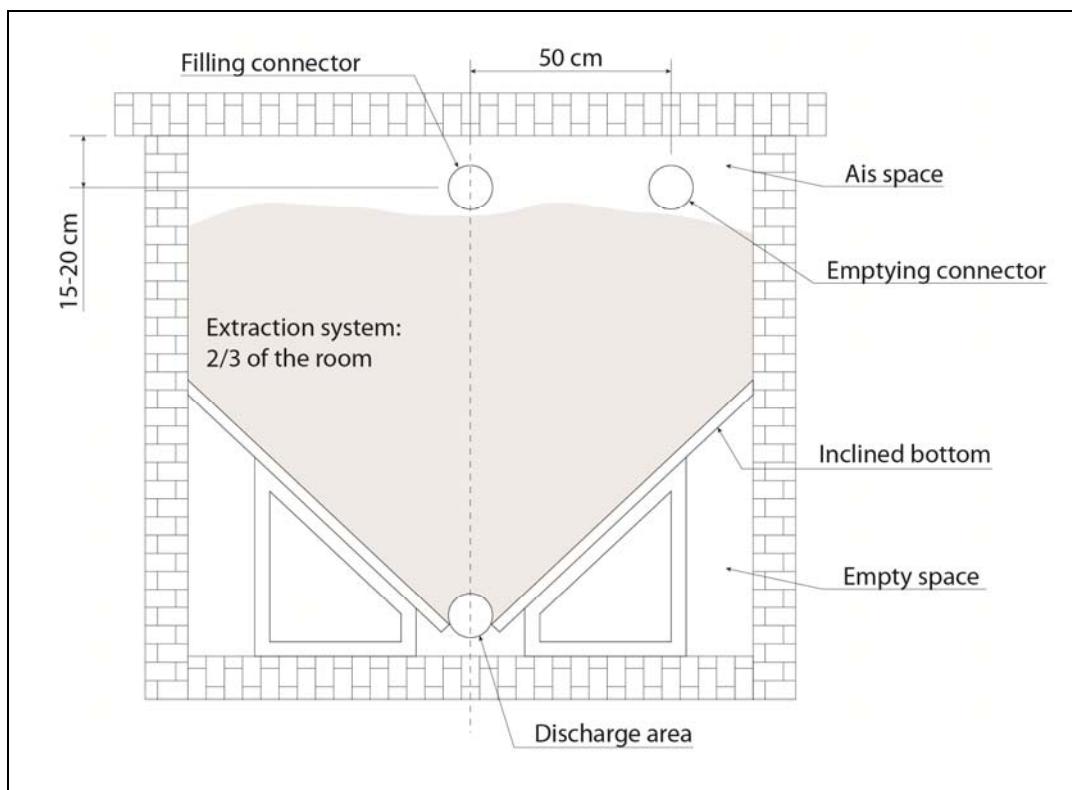
NOTE: The silo must be constructed in such a way that it can withstand the weight load of the pellets plus the momentary load presented by pressure changes during filling. One should not include windows with glass panes.

NOTE: The roof and walls of the silo should be made of a material such that the pellets are not damaged or contaminated by abrasion, contact or flaking.

Auger for Homemade

4.2 Construction recommendations for the inclined bottom solution

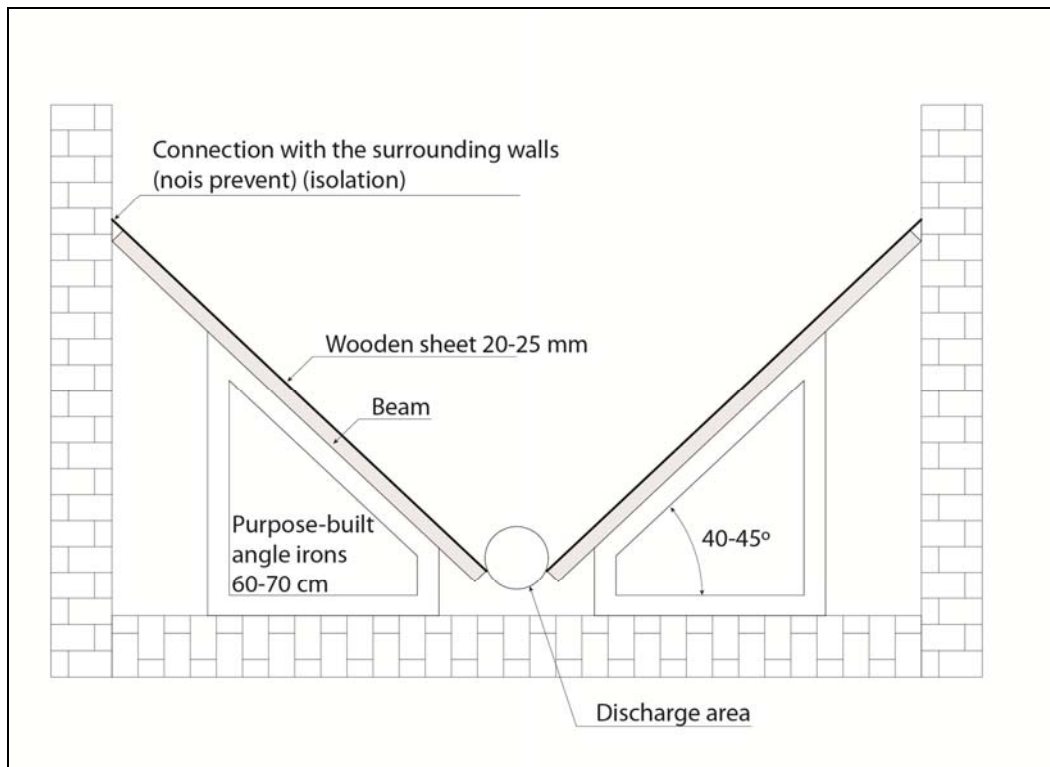
The inclined bottom of the pellet silo lets the pellets slide to the discharge opening for screw conveyor. The bottoms should be constructed in such a way that the silo is emptied as completely as possible.



When constructing the sloped bottoms, proceed as follows:

- The inclined bottom should preferably be made of wooden sheet material with as smooth a surface as possible. So that pellets can reach the discharge area without obstacles.
- The inclined bottoms should be connected to the surrounding walls in such a way that pellets cannot fall into the empty space below the bottom.
- The inclined bottoms should be able to withstand the weight load of the pellets (bulk density 650 kg/m³). A stable framework is necessary.
- Next to stable planks, one can find purpose-built angle irons that will ease the construction of the inclined bottom considerably. The supports should be at a maximum distance of 60-70 cm apart.
- To prevent noise from being transferred to the building, the construction of the inclined as well as any passage of walls should be made in such a way that sound is not transferred.

Some of these recommendations are illustrated in the following figure:

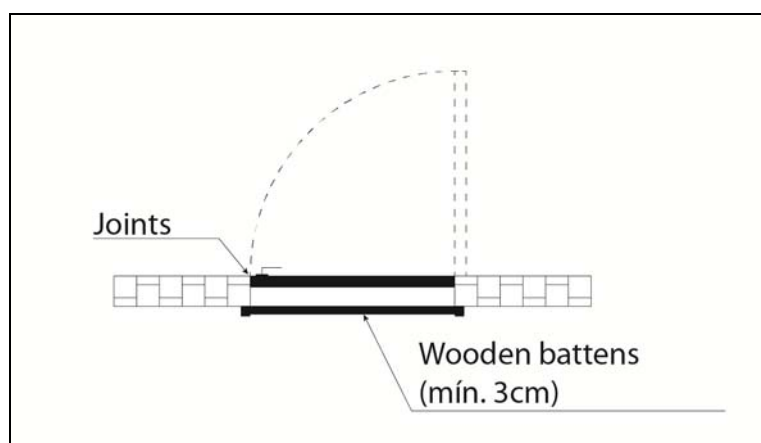


4.3 Impact protection mat

The installation of an abrasion and tear-proof impact protection mat is necessary to prevent pellets from hitting the enclosing walls, which might destroy them. It should be placed at right angles to the incoming stream of pellets near the opposite wall of the silo from the inblow pipe. During the first filling of the silo, test if the impact protection mat fulfils its function (the incoming stream of pellets must hit the mat). If there is more than one filling pipe, it may be necessary to install more than one impact protection mat.

4.4 Doors, windows and hatches

Doors and hatches should be constructed in a manner that prevents dust from entering the rest of the building. Doors, windows and hatches should open outwards and have a dust-proof seal all the way around. On the inside of the door frame, wooden battens should be placed to release the pressure on the door. This allows access to the silo room at all times.



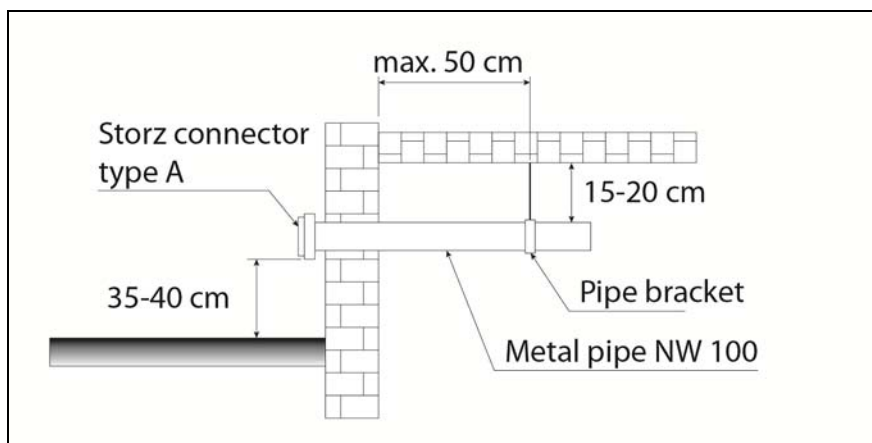
Auger for Homemade

An optical filling level control method is recommended (such as small peep holes in the wooden planks). If clear plastic is used for the optical level control, then these windows can accumulate fines, attracted by static electricity. The level of fines on the plastic viewer fines is not a reliable indicator of the total amount in the silo.

4.5 Inblow and exhaust pipes

Any storage facility for pellets should have an inblow connector (more than one is possible) and an exhaust ventilation connector of metal and their purpose should be clearly and permanently marked on piping and lids.

The following diagram and text provide some recommendations when building blow and exhaust pipes:



The connectors should be mounted about 15-20 cm below the ceiling of the silo, measured from the topside of the pipe to the underside of the ceiling. After a maximum of 50 cm, a pipe bracket should be mounted to fix the pipes in place, so that they cannot turn or twist when the connector of the filling truck is attached or that the position of the filling pipe is changed.

Only pressure-resistant metal pipes should be used for the filling system. Plastic pipes should never be used, since these can become electrostatically charged and release sparks during the filling operation. To avoid this, the piping should be earthed with a wire of at least 4 mm.

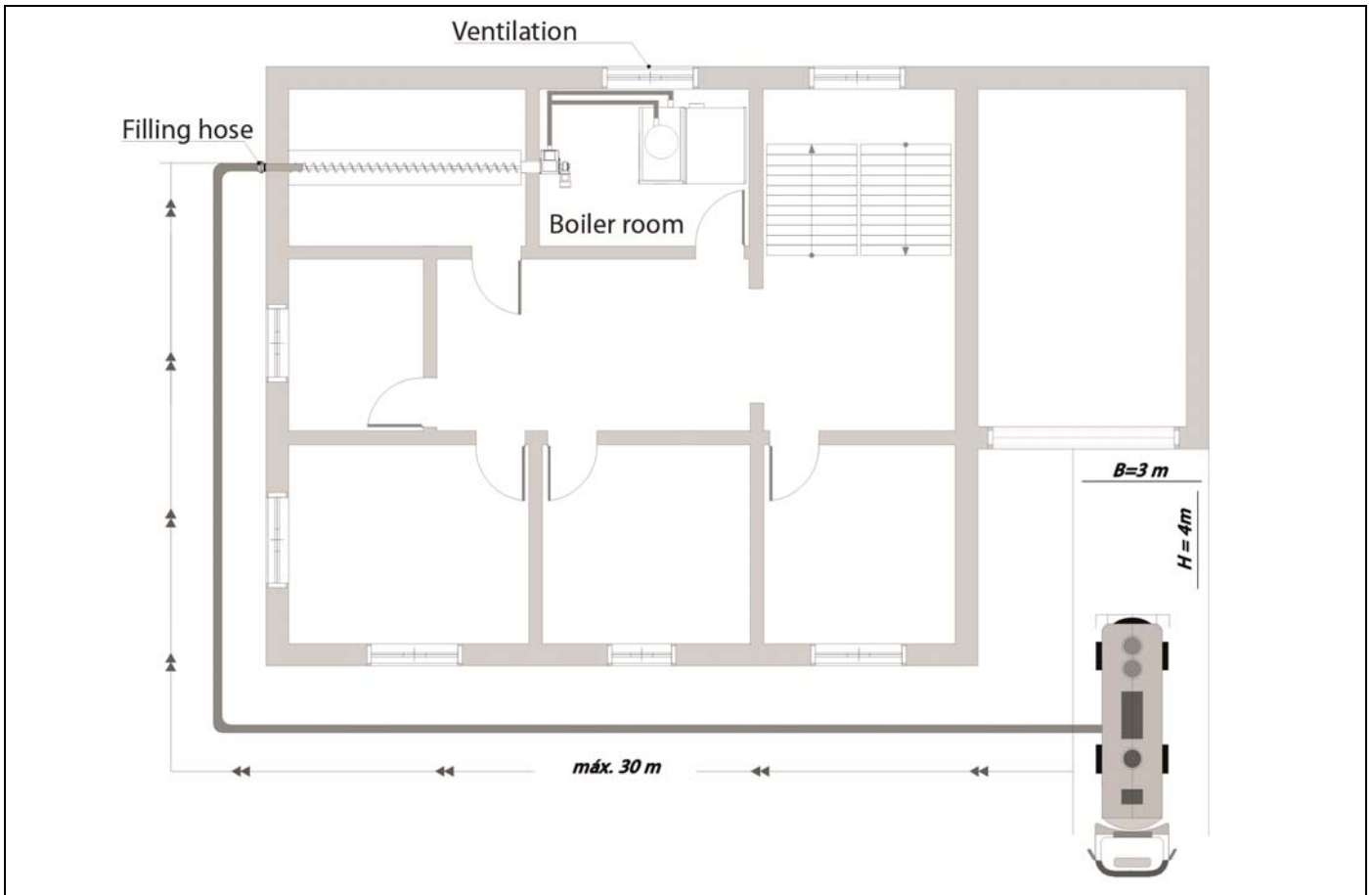
Pipes and bends should have a smooth inner surface, so that the pellets are not damaged during blow in. No rivets or screws should extend into the pipe. The ends of the connecting pipes should be closed with special lids that permit an exchange of air between the silo and the outside. This prevents emissions and odours from the pellets.

After the filling operation the connectors should be closed using the lids. The lids should allow air exchange between the silo and the outside.

4.6 Filling instructions

The **DOMUSA TEKNIK Auger for Homemade** is designed to be installed in a homemade storage and to be filled by a tank truck, through a flexible hose that pumps the pellets into the silo. Tank trucks for pellet supply usually have a flexible hose of up to 30 metres, and the silo should therefore be installed at a maximum distance of 30 metres from the nearest truck access point (if a longer distance is required, check with the pellet supplier whether longer hoses are available). The truck access area must also have a minimum width of $B = 3\text{ m}$ and a minimum clearance of $H = 4\text{ m}$.

The filling nozzle must be accessible from outside the building, and so the premises in which the silo is installed must have at least one exterior wall. If this is not possible, the filling hose must be run to the outside.



IMPORTANT: For safe silo filling it is essential for the filling nozzle and supply hose to be earthed during the filling process.

Auger for Homemade

5 INSTALLATION INSTRUCTIONS

The **DOMUSA TEKNIK** Auger for Homemade must be installed and assembled by sufficiently qualified personnel, observing the relevant personal safety regulations and the warnings given below:

5.1 Fuel quality

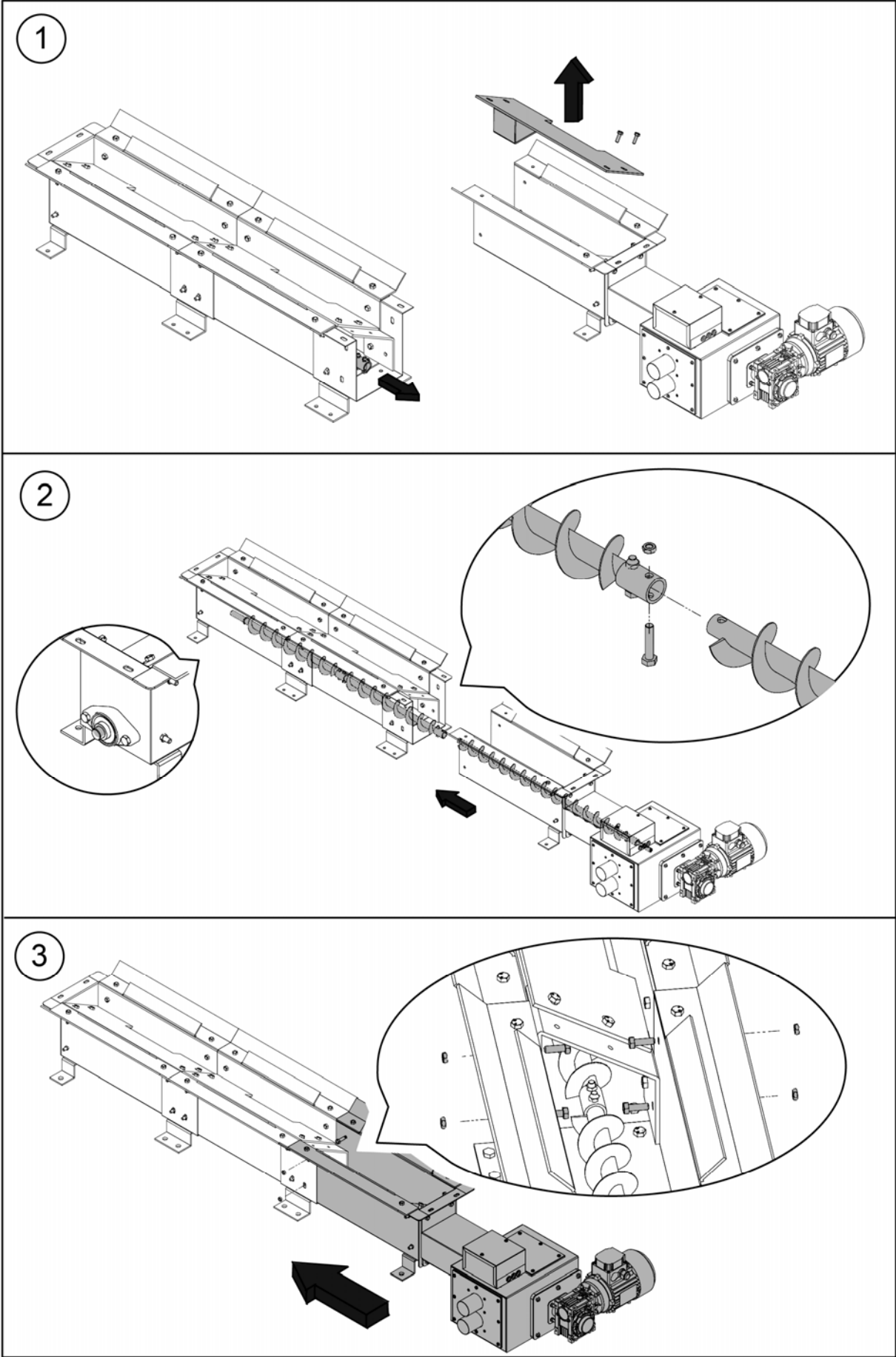
The **Auger for Homemade** is exclusively designed and intended for storage of wood pellets with a diameter of 6 mm and a length of up to 40 mm.

The wood pellets used must comply with the EN 14961-2 standard, class A1, at least, and be certified with one of the following quality marks: **ENplus-A1**, **DINplus**, **NF Bois** or equivalent.

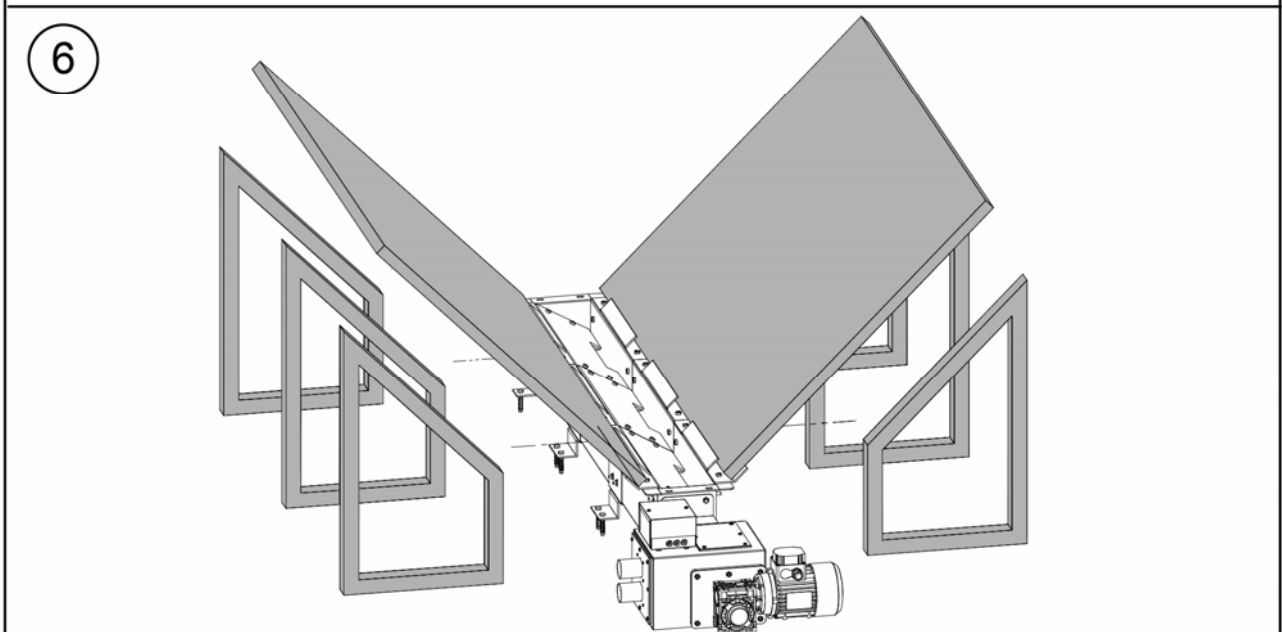
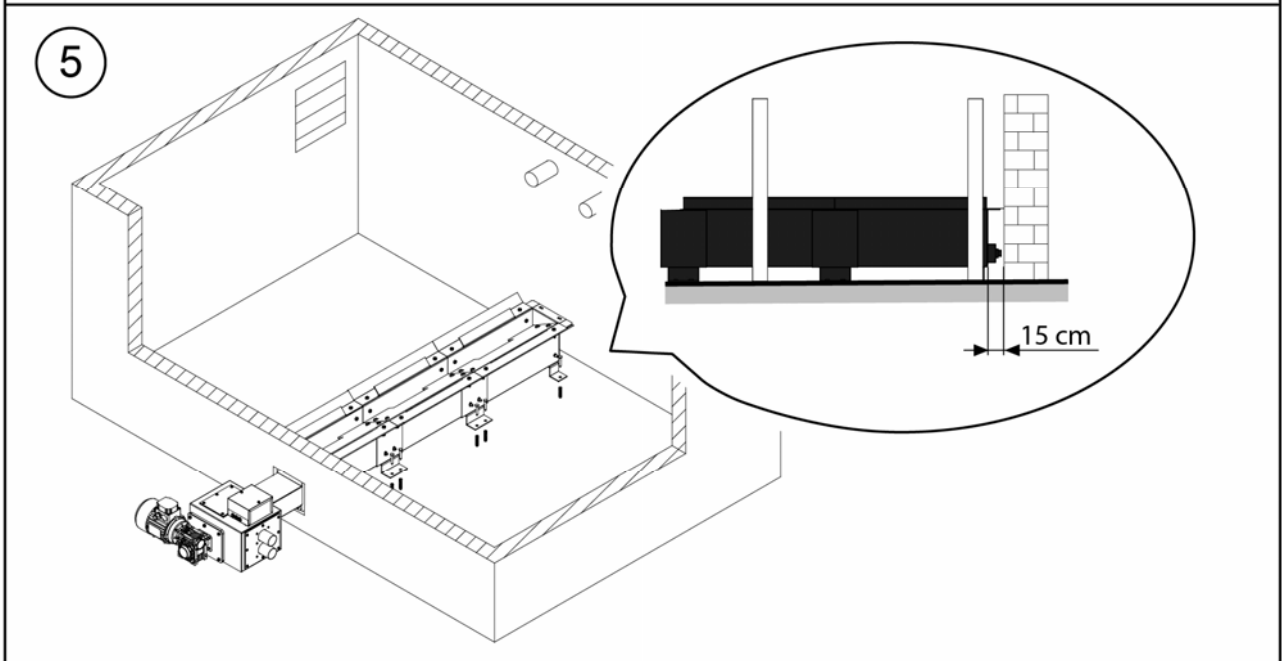
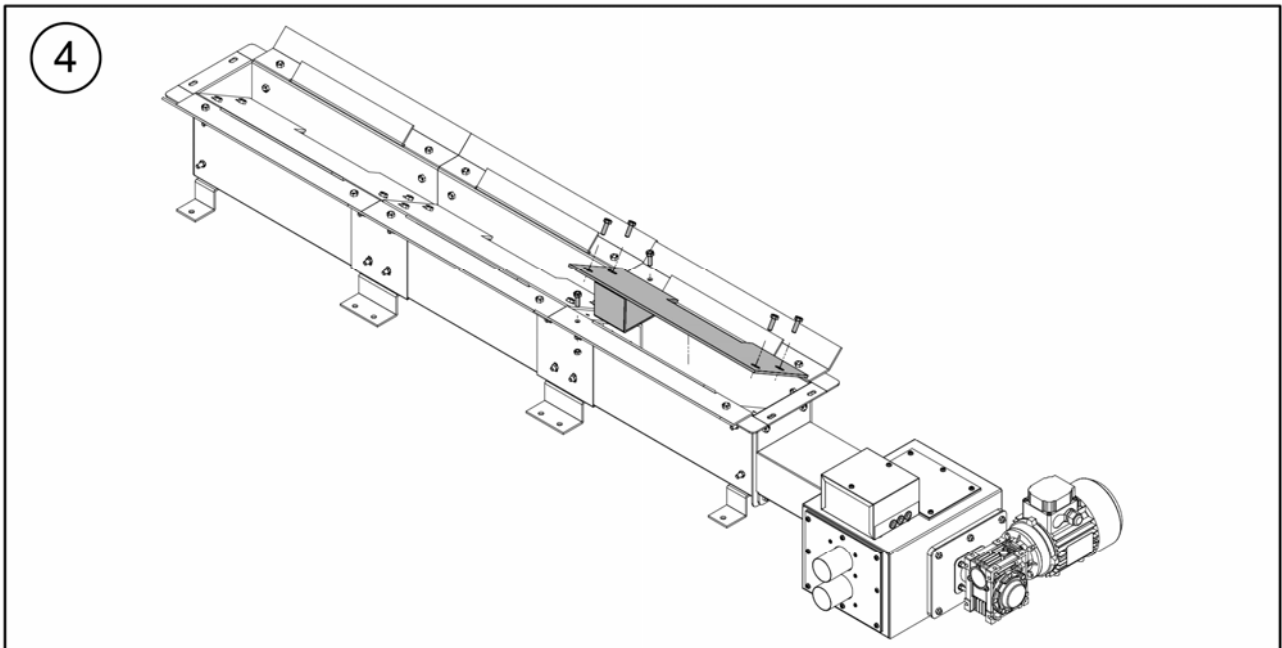


IMPORTANT: The pellets are highly hygroscopic. In case of contact with water or damp walls they will swell and rot and will be **unfit for use**.

5.2 Assembly instructions



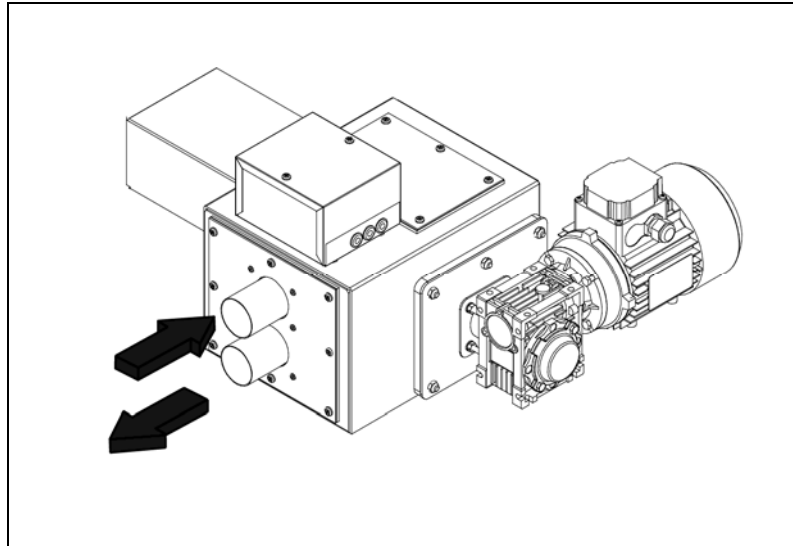
Auger for Homemade



5.3 Installing the suction hose

The **Auger for Homemade** is specially designed to function as part of an installation with a **DOMUSA TEKNIK CVS Suction System** and a plastic hose with an interior diameter of 50 mm. This hose must have a static electricity discharge system, preferably a copper wire wound around its entire length. **This copper wire must be earthed at all the hose joints and ends.**

Connect the pneumatic suction system's flexible hoses as indicated in the figure, and secure them using the clamps supplied with the silo.



Whatever the type of hose used, it must be made of a suitable material for transporting wood pellets and it must always have an interior diameter of 50 mm. The following recommendations must also be complied with for correct installation:

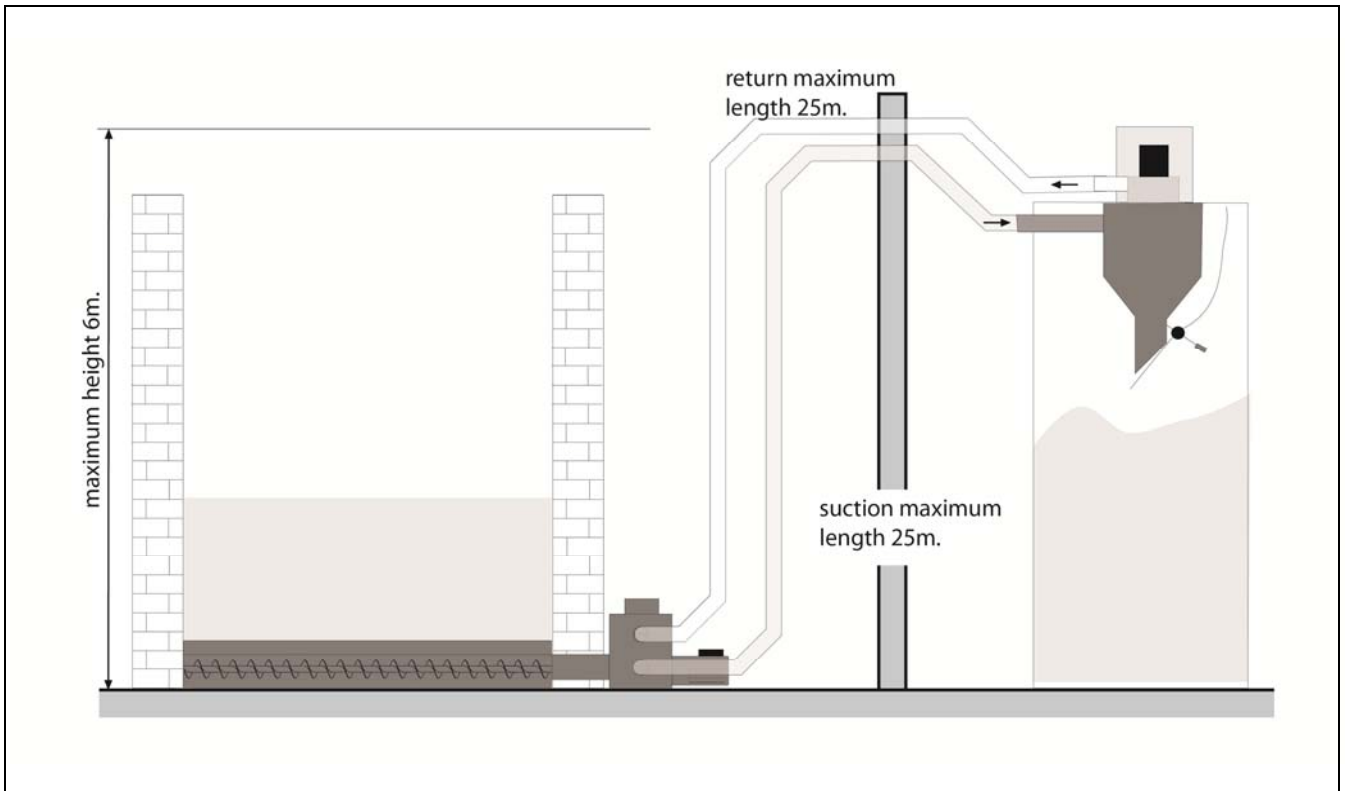
- The **maximum** permitted hose **length** is 25 metres for flow from the main silo to the suction pot (**CVS Suction System**) and 25 metres for return.
- Bend angles of over 45° must be avoided whenever possible. If these cannot be avoided, any **curves** with angles over 45° must have a radius of curvature greater than 125 mm.
- **If rigid plastic tubing is used, do not use standard 90° elbows. If these are necessary, the curves constructed must have a minimum radius of 125 mm.**
- The **maximum height** difference permitted for the installation is 6 metres.
- Avoid any splicing or coupling in the hose installation wherever possible, as this may narrow the circuit, which can cause clogging of the pellets being transported and could block the system. Most importantly, avoid any joints in the hose section leading from the main silo to the boiler reserve tank suction pot, as the pellets are conveyed through this section.
- If there is no alternative to splicing and extending the installation, straight rigid tubing with an interior diameter of 50 mm must be used. It is preferable for any splicing and joining of the hose to be done in the pneumatic suction system return section, as only air is conveyed in this section. **All the hose sections must be earthed at all coupling points and at the ends of the hose.**
- The most vital factor for ensuring maximum suction power for the **CVS Suction System** is the airtightness of the installation, and great care must therefore be taken when installing the

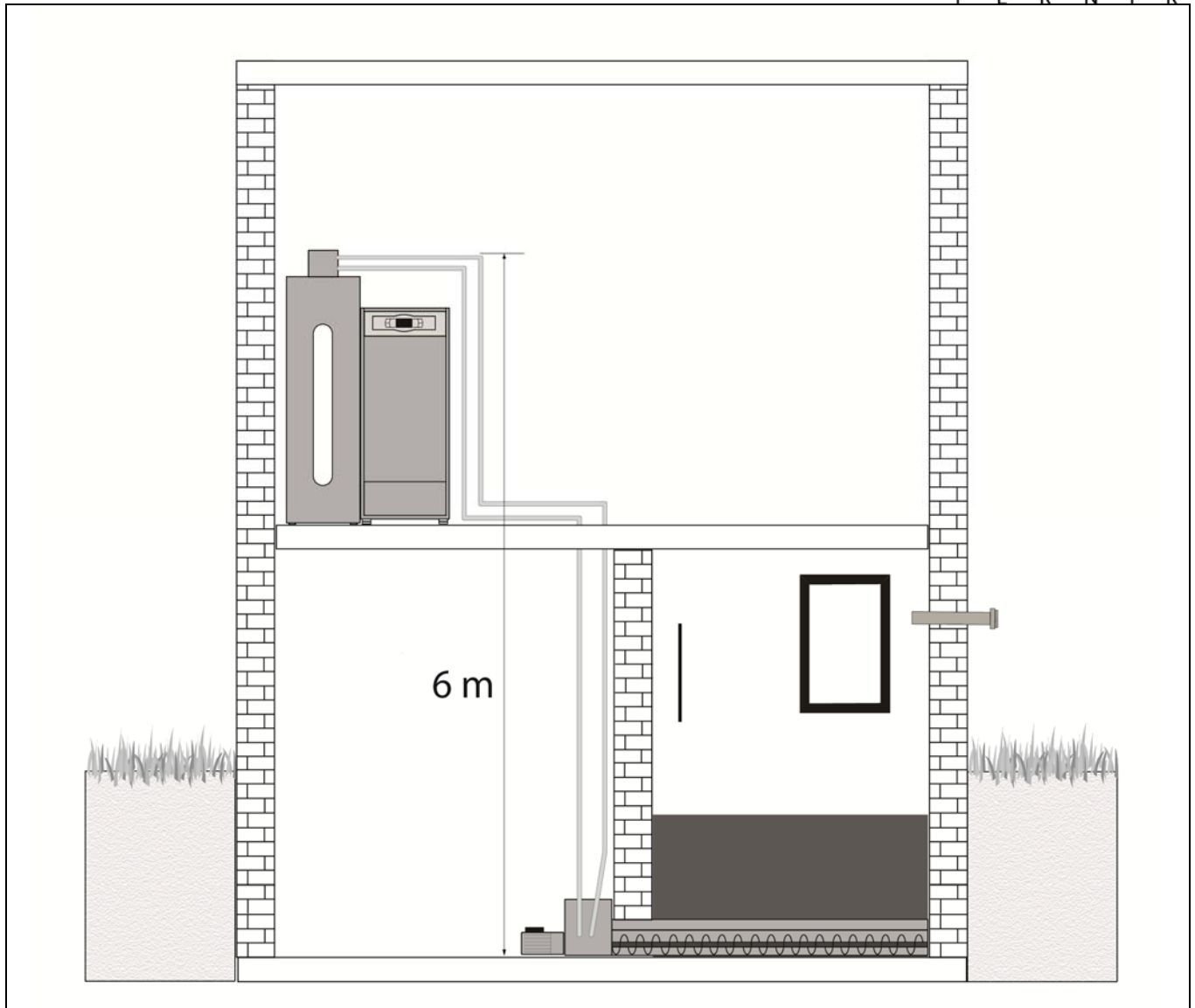
Auger for Homemade

tubing. All coupling points in the installation must be secured with brackets, taking special care to prevent leakage.

- We recommend avoiding hose crossover in the installation whenever possible. The flow and return hoses of the pneumatic installation should be laid out parallel to each other.
- For correct assembly of the hoses, they should be fixed to the walls and/or floor using suitable fasteners throughout the entire installation, to ensure stability. The recommended maximum distance between the fixing points is 80 -110 cm.

Some of these recommendations are illustrated in the figure below:





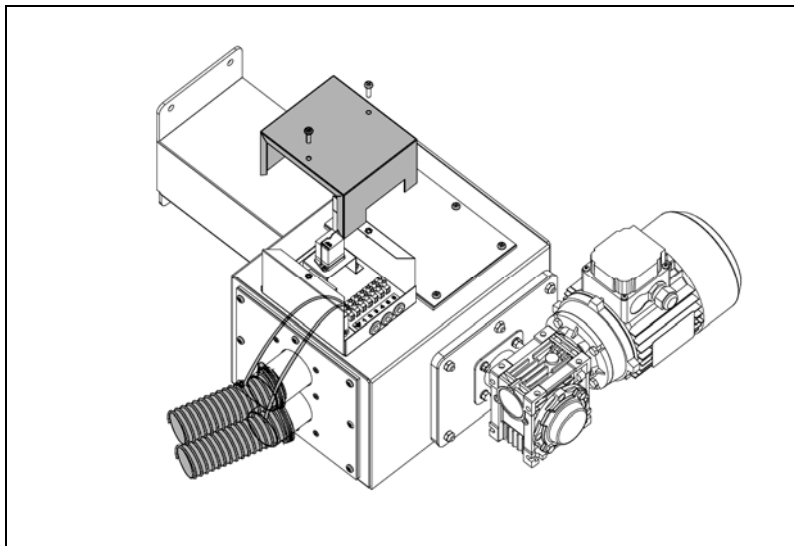
IMPORTANT: At each end of the pellet suction and air return hose, the copper cables must be connected to the earth connection terminals provided for this purpose.

IMPORTANT: **DOMUSA TEKNIK** will hold no liability for malfunctioning of the Spider Kit in combination with the **CVS Suction System** if the installation does not comply with the above recommendations.

Auger for Homemade

5.4 Earth connection

The **Auger for Homemade** is specially designed to function as part of an installation with a plastic hose with an interior diameter of 50 mm. This hose must have a static electricity discharge system, preferably a copper wire wound around its entire length. **This copper wire must be earthed at all the hose joints and ends.**



5.5 Electrical connection

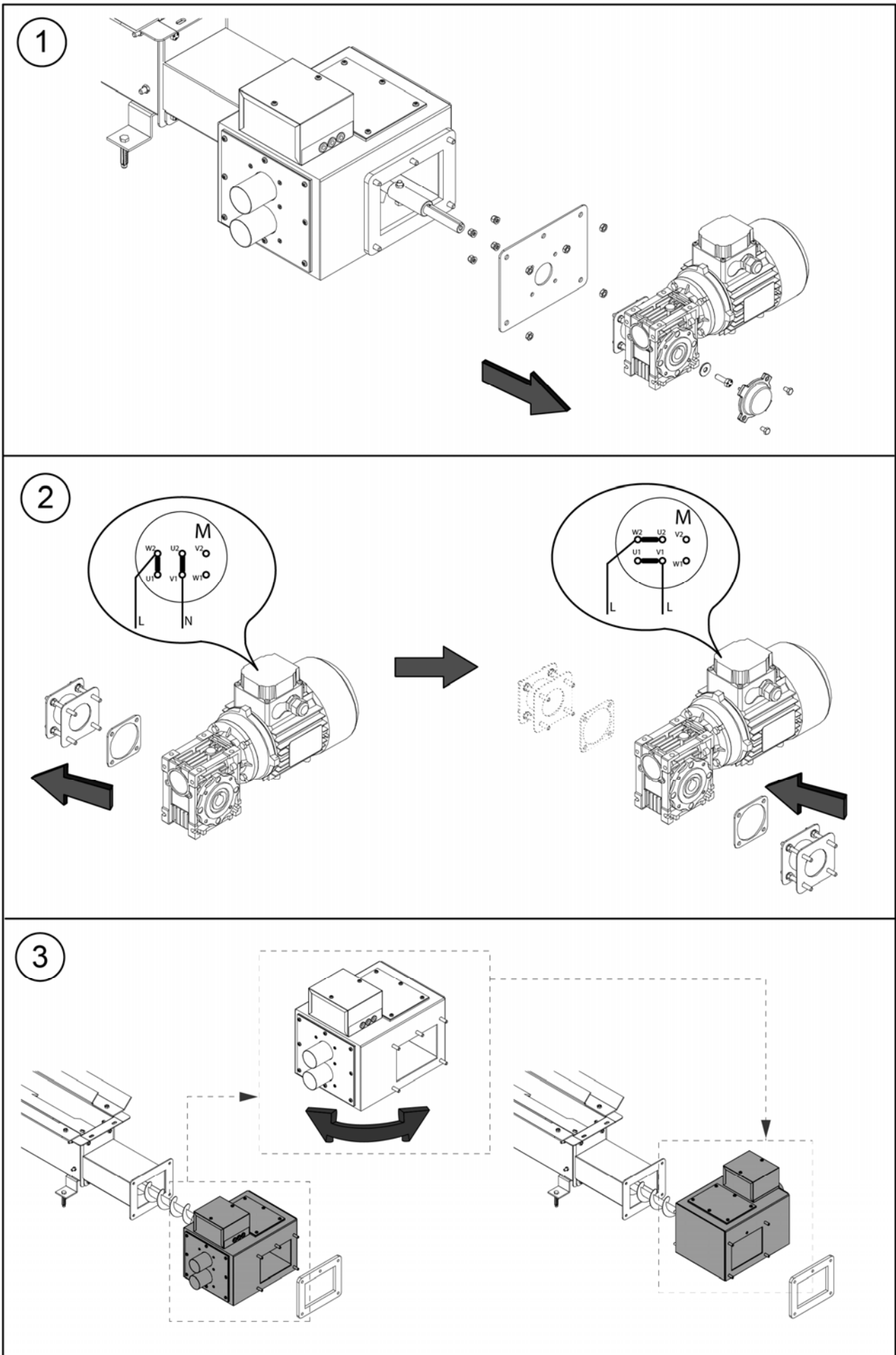
The **Auger for Homemade** is prepared for connection to 220 V ~ on pins 1 and 2 of connector **J12** as "Connection diagrams "section of this manual.

For the proper protection of motor will be essential to **fit a magnetothermic protection of 4A** between main power supply and connector (**J12**).

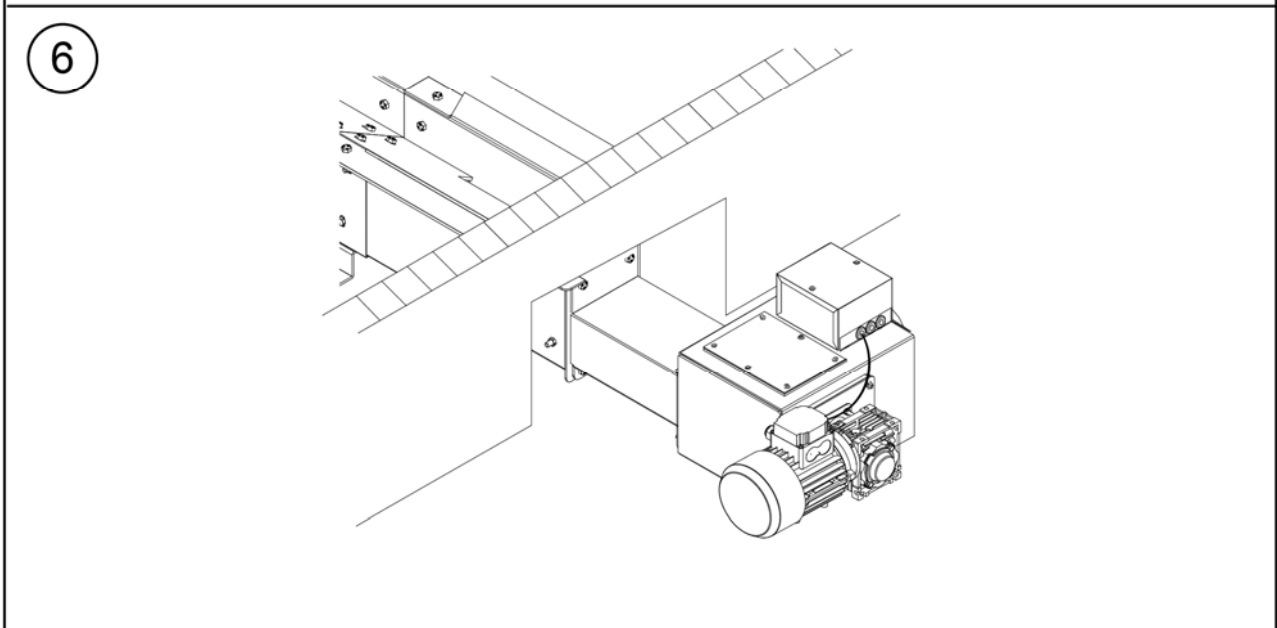
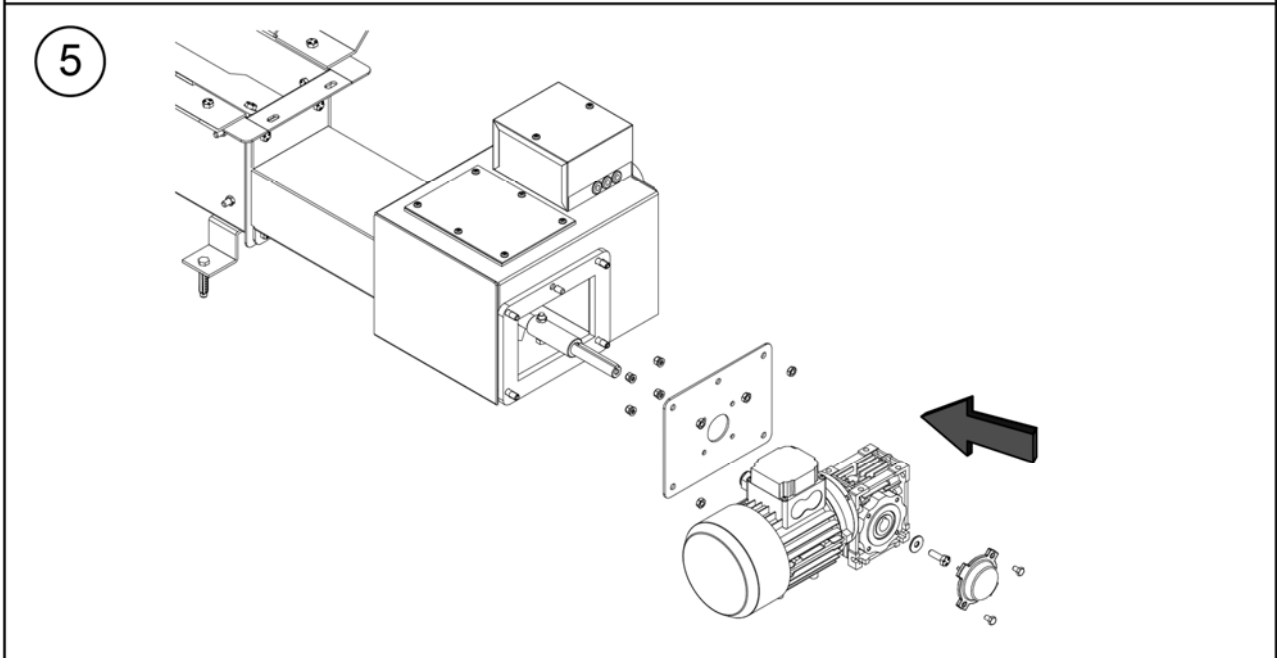
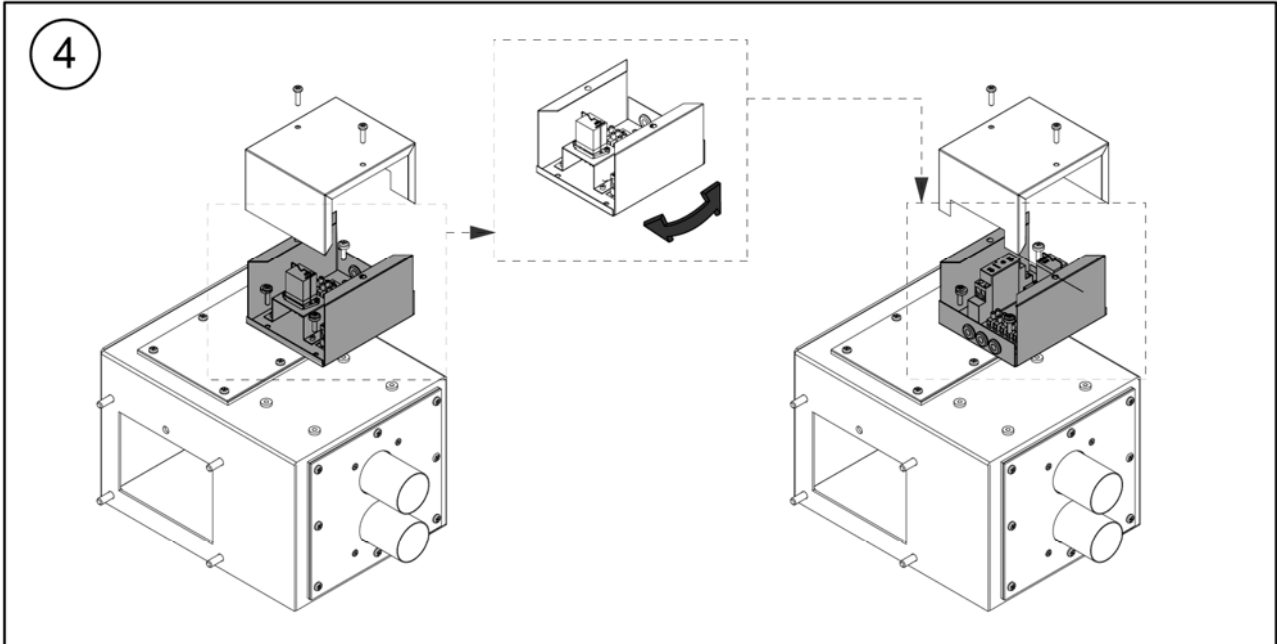
5.6 Change of motor direction

The position of the suction box relative to the **Auger for Homemade** dragging unit is reversible. The position of the suction nozzle, where the air inlet and pellet outlet pipes are connected, and the position of the motor can be adapted to installation requirements.

Bear in mind that the motor rotation direction should be adjusted to suit the installation position, by changing the motor's internal electrical connections as shown in the following diagram:



Auger for Homemade



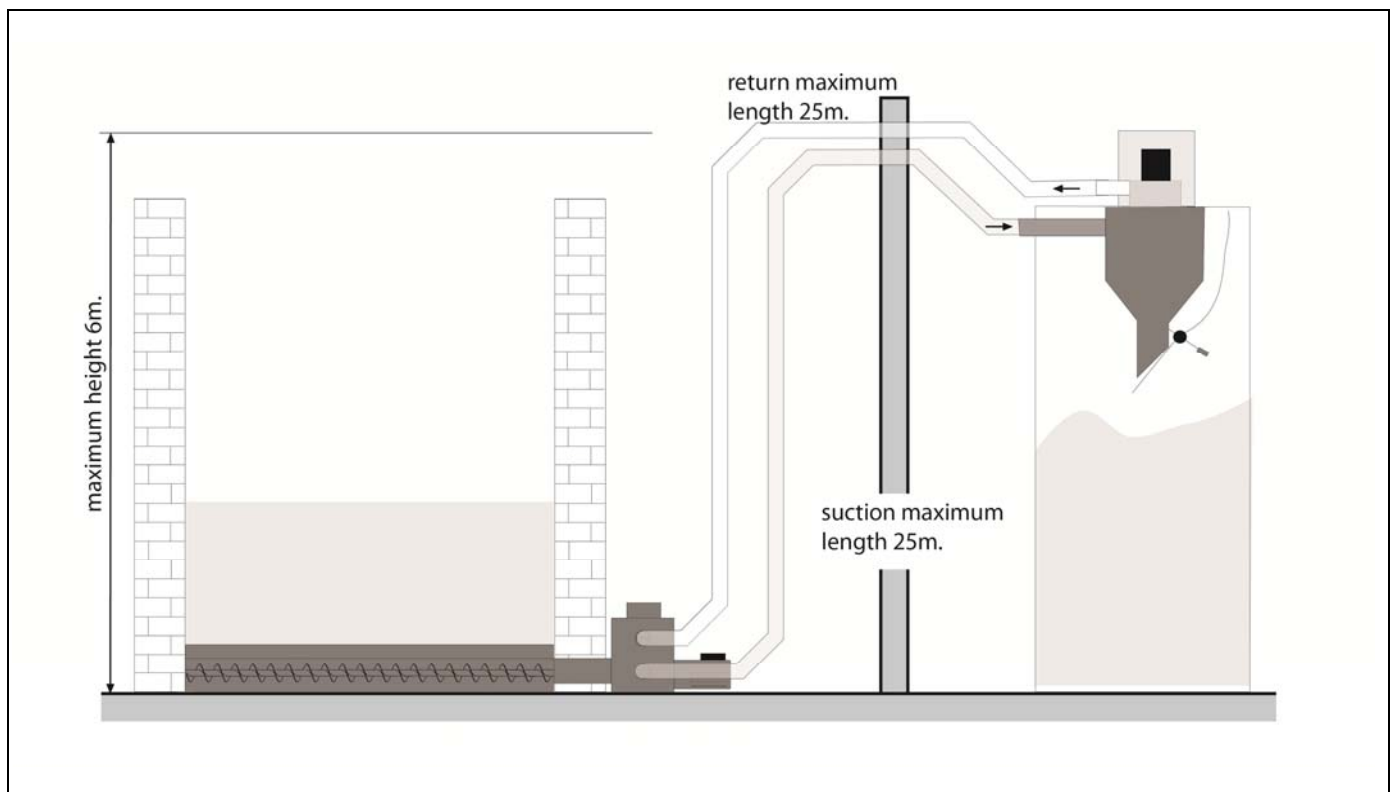
6 OPERATION

The **Auger for Homemade** removes pellets to a main pellet store or silo and, in combination with the **CVS Suction System**, conveys these pellets to a smaller storage unit near the boiler (**Reserve Tank**).

The **Auger for Homemade** basically consists of a pneumatics connection, where the pellet suction hose is connected, and a motor to turn the worm screw, which removes the pellets from the main silo and sucked up by the **CVS Suction System**.

6.1 Operation with CVS Suction System and BioClass NG boiler

The figure below shows a functional diagram of the **Auger for Homemade** installed in combination with a **CVS Suction System**:



NOTE: If the suction system becomes blocked, this could mean there are insufficient pellets in the main silo, or that the pneumatic hose installation has become blocked or is defective.

General system operation is as follows: when the level sensor detects a low pellet level, the electronic control starts up the suction unit and the **Auger for Homemade** motor, which begins to suck up the pellets from the silo or main store and convey them to the suction pot in the upper part of the boiler reserve tank. The suction unit runs for a set duration (a cycle), while it fills the suction pot. When the cycle is complete, the suction unit stops and the hatch on the underside of the suction pot opens, emptying the pellets inside it into the reserve tank. If the level sensor continues to detect no pellets when the suction pot has been emptied, the suction unit starts up again and runs for another full cycle. When the sensor detects pellets, the electronic control disables the functioning of the **CVS Suction System** and then remains on standby until it requires activation again.

When the cycle is complete, in order to prevent excess pellets remaining in the hose installation where they could cause an obstruction at the start of the next cycle, the controller will stop the auger motor from functioning before deactivating the suction unit. Thereby, the suction unit


Auger for Homemade

continues taking in only the pellets remaining inside the hose installation, emptying it and preventing obstruction at the start of the next cycle.

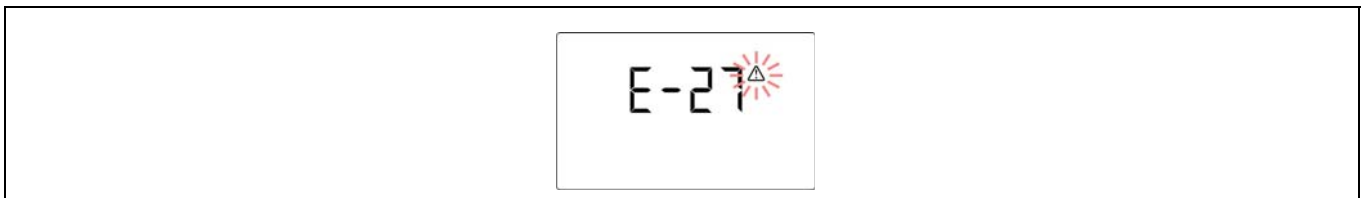
The optimum cycle time is the time required for the cyclone on the reserve tank to be filled to its full capacity. The auger motor's activation time is factory set to 35 seconds, and this must be maintained regardless of the type of installation, given that the amount of pellets transported is always constant. The suction unit's activation time however, will depend on installation length and route, the type of pellets used, and in particular the cleanliness of the suction unit filter. Thorough maintenance of the filter is therefore very important (see "*Maintenance*") to ensure a constant, uniform flow during each cycle. Bearing in mind such variable fuel characteristics, the table below shows some recommended cycle times, depending on the length of the installation:

Installation length	Cycle time
5 m	MIN (70 sec)
15 m	95 sec
25 m	155 sec

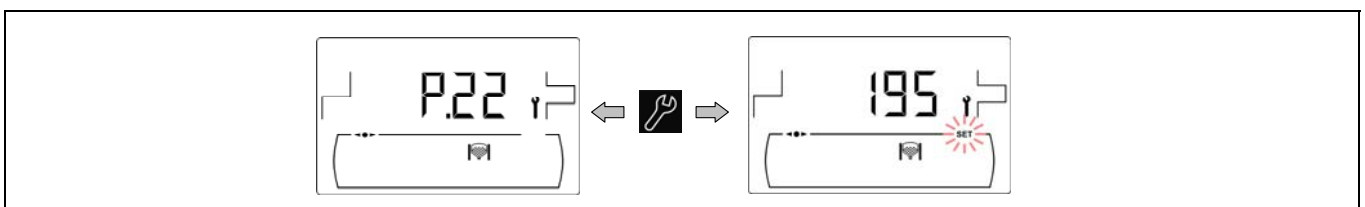
Furthermore, a programmable timer can be accessed via the display on the **BioClass NG** boiler so that the operation may be disabled at night to avoid any noise and disturbance, which may be caused by the suction system during its operation. It can also manage the functioning cycles of a **Auger for homemade**, if you choose to use this type of pellet removal system.

During the time that the suction unit runs, the symbol  is displayed blinking in the **BioClass NG** boiler's display.

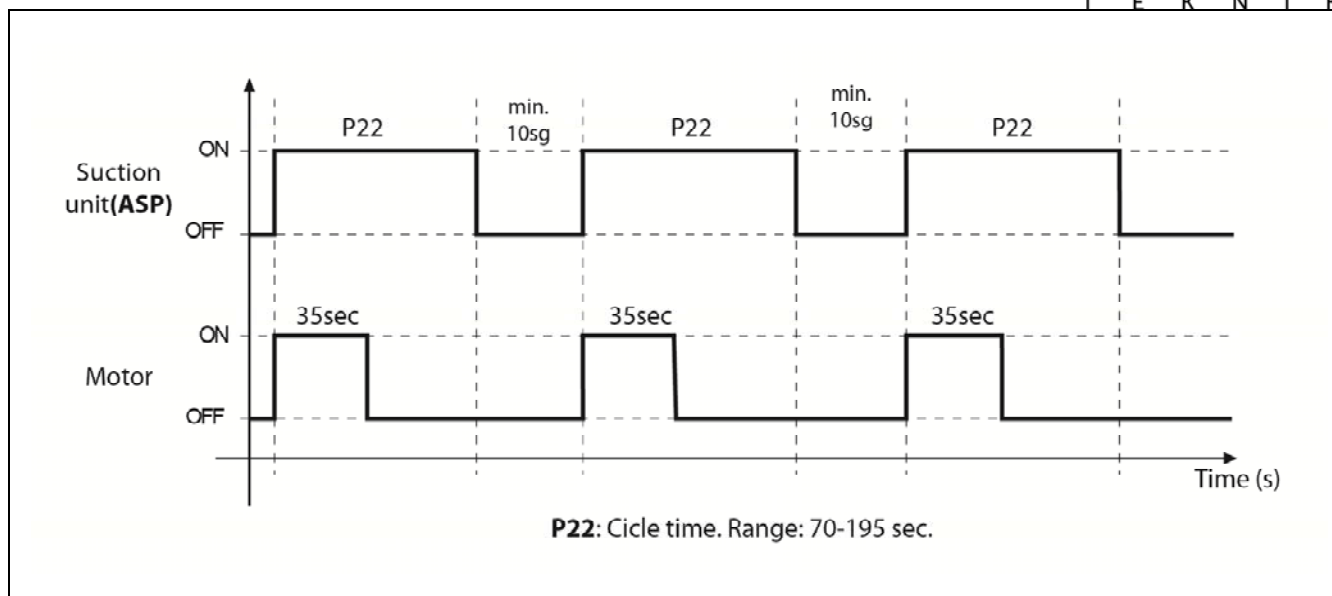
If the level sensor doesn't detect pellets after 9 consecutive cycles, the electronic control stops the system functioning and the alarm **E-27** is activated (Automatic loading system lock out), in the display of the boiler. To unlock it, press **reset** and 9 consecutive cycles will start again unless the sensor detects pellets.



The cycle time could be adjusted using the **P.22** setting of the "Technical" menu (see instructions of **BioClass NG**). This setting is used to optimise the filling time for the suction pot of the tank, adapting it to the different characteristics of each pneumatic installation (suction length, type of pellet removal system, etc.). The adjustable time range is from 35-195 seconds per cycle but **the minimum selected time should never be less than 70 seconds.**



These rotation cycles are governed by the **CVS suction** electronic control system. The following diagram illustrates the operating cycles governed by the **CVS suction System**:



NOTE: If the suction system becomes blocked, this could mean there are insufficient pellets in the main silo or that the pneumatic hose installation has become blocked or is defective.

7 START-UP

In order for the guarantee to be valid, the automatic loading system must be started up **by personnel authorised by DOMUSA TEKNIK**. Before beginning the start-up process, the following must be complied with:

- The **Auger for Homemade** must be connected to the electrical mains power.
- The main storage silo must be filled with pellets.
- The pneumatic hose installation must have been carried out.

The start-up sequence is as follows:

- Check the pneumatic installation of the 50 mm interior diameter hose has been performed correctly.
- Check the correct type of fuel is being used (EN 14961-2 class A1 grade or higher).
- Check the automatic loading system is working correctly.

8 INSTALLATION DELIVERY

After the initial start-up, the Technical Assistance Service will explain to the user how the kit functions, making any observations they consider relevant.

The installer is responsible for clearly explaining to the user the functioning of any control or regulation device forming part of the installation but not supplied with the boiler.

Auger for Homemade

9 MAINTENANCE

To keep the **Auger for homemade** in perfect working order, the maintenance operations described in this section must be carried out at regular intervals.

- The storeroom must be thoroughly cleaned, removing the dust accumulated at the bottom of the silo, inside the dragging units, the suction box and the silo walls. **Cleaning should be performed following every fifth top up, and at least once every two years.**
- The bearing located in the final dragging unit must be properly greased.

Also, to ensure correct functioning of the **Bioclass NG** boiler we recommend inspection of the whole pellet loading system once a year by the **DOMUSA TEKNIK Authorised Technical Service**, at the same time as the annual service.

9.1 Safety Warnings

To prevent any damage or injury to people and property, the following safety indications must be taken into account during the maintenance operations described in the following sections:

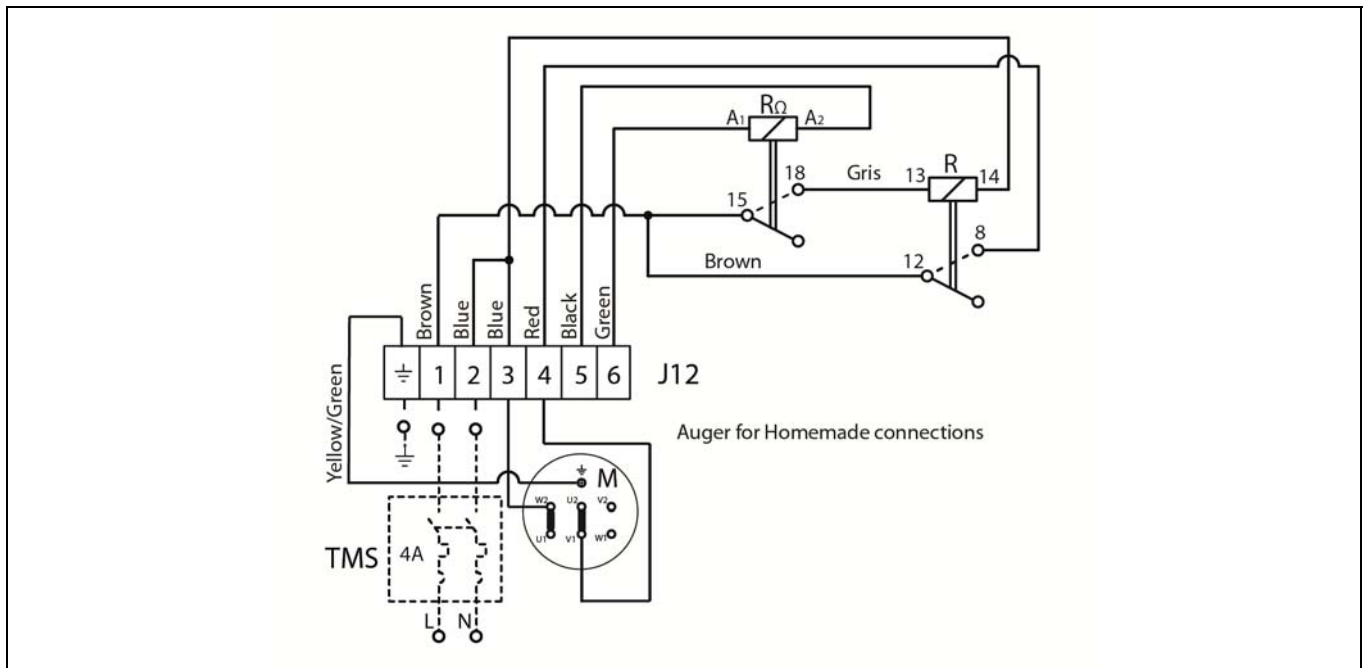
- Entering a storeroom always presents a safety risk. For this reason, the number of interventions should be kept to a minimum and strict safety precautions adhered to.
- For safety reasons, another person should always be present when you access the pellet store. Should store access be difficult, we recommended guarding against the safety of the person entering the store by having someone else present outside that can free the person inside should an emergency arise, without endangering his or her own life.
- The boiler and the pellet extraction system must be switched off, and the access door to the storeroom must be kept fully open for at least a quarter of an hour before entering the pellet store.
- Always use a dust mask when cleaning to protect against airborne dust.
- Keep children away from the installation when performing maintenance operations.

10 TECHNICAL DATA

TECHNICAL DATA		VALUE
Maximum suction length	m	25
Maximum suction height	m	6
Suction hose diameter	mm.	50
Connection voltage	-	230 V~ 50 Hz
Maximum electrical consumption	A	1,7
Maximum electric power	W	375

11 ELECTRICAL DIAGRAMS

11.1 Electrical diagram



J12: Motor connector

R₀: Timer relay

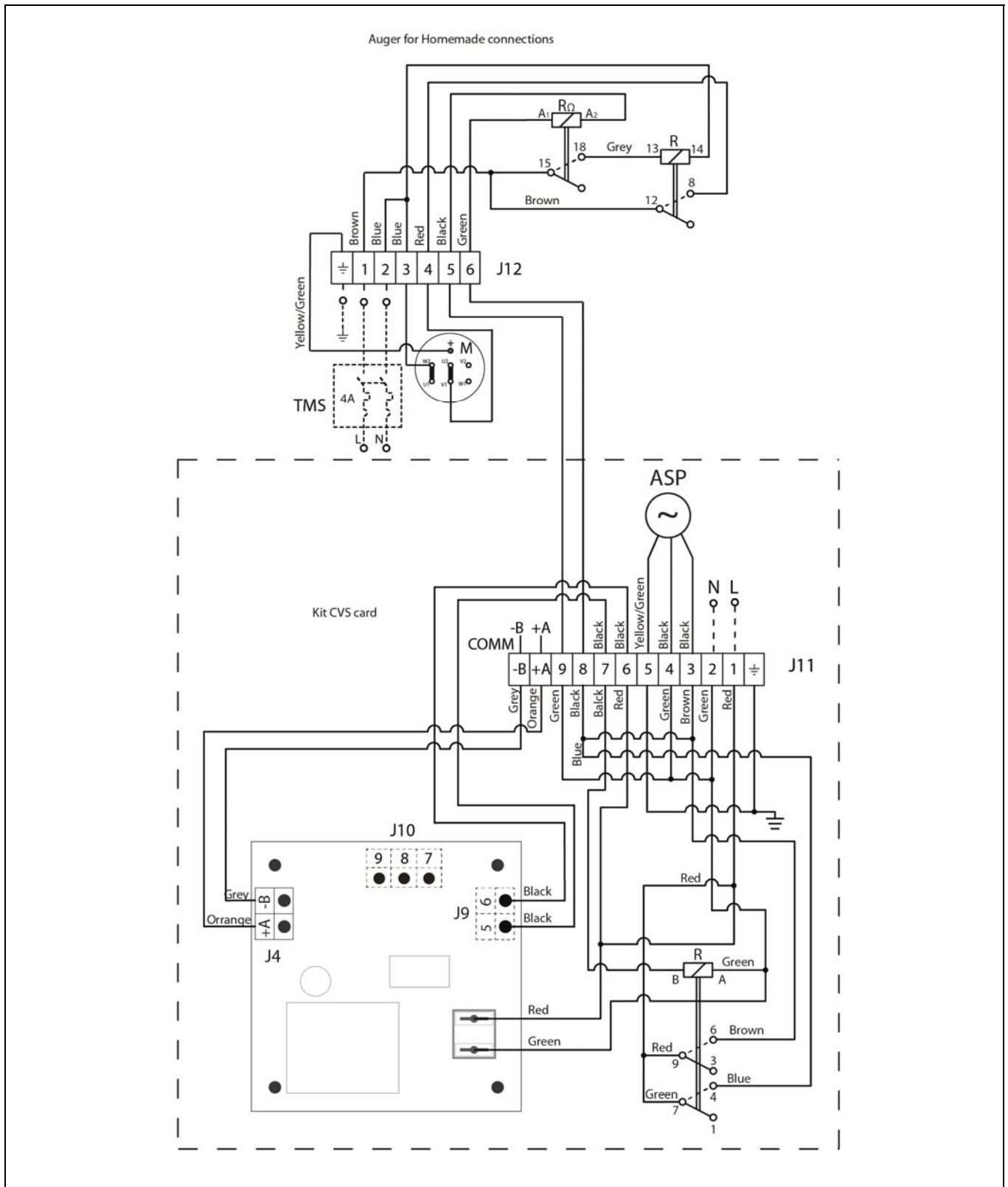
R: Relay

M: Motor

TMS: Termal-magnetic switch

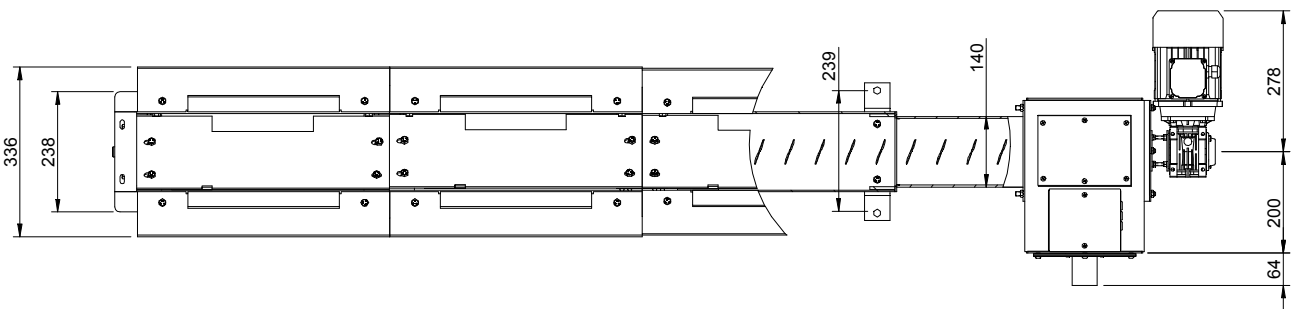
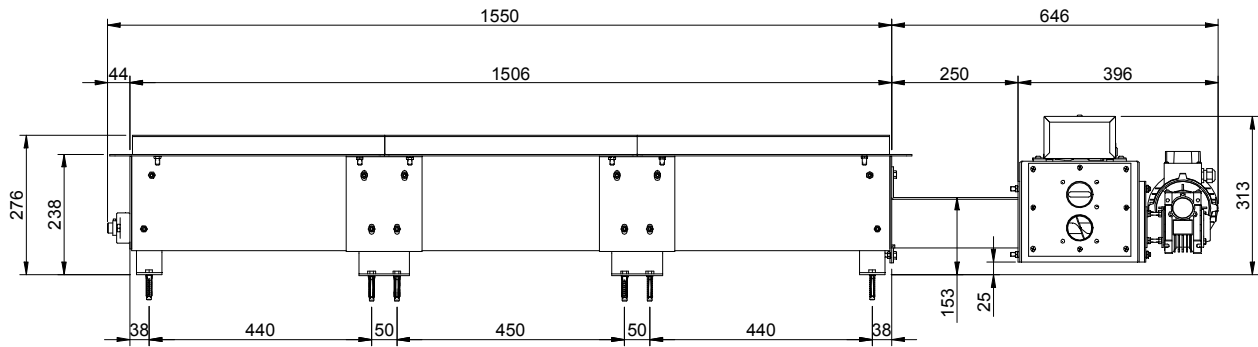
Auger for Homemade

11.2 Electrical connection for installation with a CVS Suction System

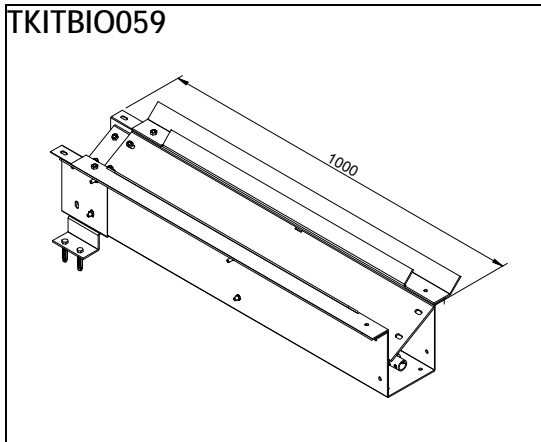


- J4:** Communication connector.
- J10:** Level sensor connection.
- J11:** Main connector.
- J12:** Motor connector.
- ASP:** Suction unit.
- M:** Motor.
- TMS:** Thermal-magnetic switch.

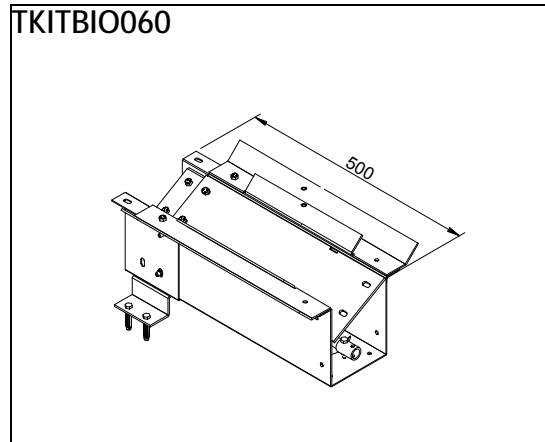
12 MEASUREMENTS



TKITBIO059

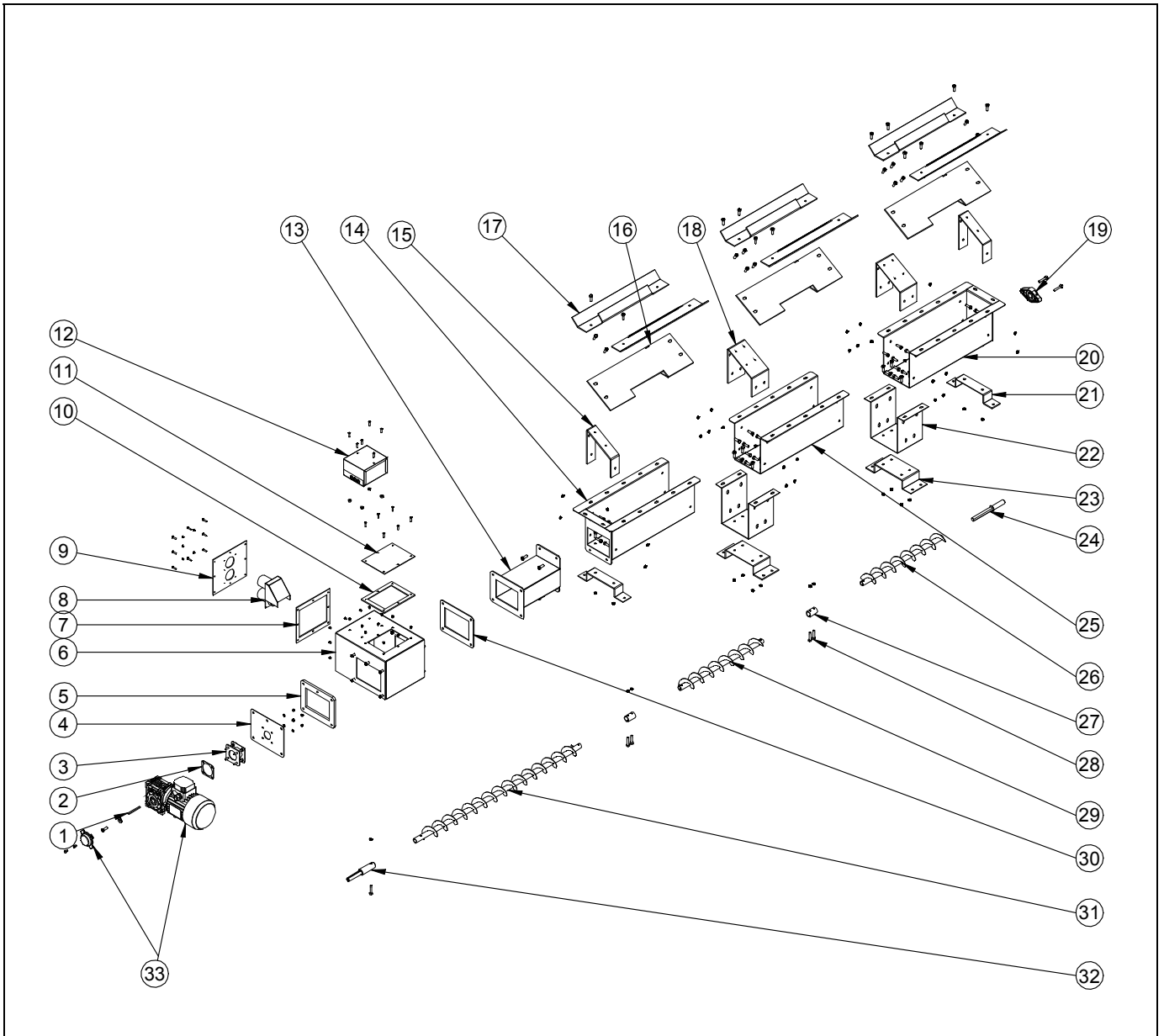


TKITBIO060



Auger for Homemade

13 REPLACEMENT PARTS LIST



<u>Nº.</u>	<u>Code</u>	<u>Description</u>
1	STUR000008	SPLINE
2	SEPO002369	REDUCER SPACER FLANGE
3	SEPO002366	REDUCER FLANGE
4	SEPO002372	AXLE FLANGE
5	CAIS000016	GASKET
6	SEPO002370	CASING
7	CAIS000006	GASKET
8	SEPO002374	KIT FOR BUCKET
9	SEPO002373	INSPECTION COVER
10	CAIS000005	GASKET
11	SEPO002431	INSPECTION COVER
12	SELEBIO042	TIME-DELAY RELAY BOX ASSEMBLY
13	SEPO002364	MOTOR SECTION CASING
14	SCON001181	MOTOR SECTION CHANNEL
15	SEPO002363	SHEET SUPPORT
16	SEPO002357	PELLET SUPPORT ASSEMBLY
17	SEPO002351	BOARD PROFILE 0.5 M
18	SEPO002352	DOUBLE SHEET SUPPORT
19	CFER000218	UCFL 204 BEARING
20	SEPO002367	BEARING CHANNEL SECTION
21	SEPO002368	AUGER END ANCHOR
22	SEPO002354	CHANNEL JOINT
23	SEPO002355	AUGER ANCHOR
24	CTOE000351	END SECTION BEARING AXLE
25	SEPO002353	0.5 M CHANNEL
26	SCON001197	END SECTION AUGER
27	CTOE000350	AUGER JOINT AXLE
28	CTOE000371	AUGER JOINT SCREW
29	SCON001196	0.5 M SECTION AUGER
30	CAIS000012	MOTOR CASING GASKET
31	SCON001195	MOTOR SECTION AUGER
32	CTOE000349	MOTOR AXLE
33	CELC000414	MOTOR

Auger for Homemade

14 TERMS OF GUARANTEE

DOMUSA TEKNIK's commercial guarantee covers the standard functioning of the products manufactured by DOMUSA Calefacción S.Coop., in accordance with the following conditions and time periods:

1. This **commercial guarantee** is valid for the following periods, as from the **date of purchase**:

- **2 Years** for electrical, mechanical elements, etc.

During the 6-month period following the start-up date, **DOMUSA TEKNIK** will carry out any repairs of original flaws or defects totally free of charge.

After these 6 months have elapsed and until the end of the guarantee period, labour costs and call-out charges will be payable by the user.

2. **DISCLAIMERS:** The **commercial guarantee** shall not cover the following cases, in which the total cost of repairs must be paid for by the user:

- If **Auger for Homemade** has not been installed in accordance with the applicable laws and regulations for this type of appliance.
- If the product has been manipulated by personnel not authorised by **DOMUSA TEKNIK**.
- Breakdown caused by misuse or incorrect installation, an unsuitable electrical supply, incorrect handling of the appliance and, in general, for any reason beyond **DOMUSA TEKNIK's** control.
- Wear and deterioration of the appearance caused by use of the appliance or the necessary maintenance operations.

VERY IMPORTANT: For entitlement to this guarantee, proof of the date of receipt of the appliance, that is the purchase invoice or receipt, must be shown to the official technical support service on call-out. For **CVS Suction System** supplied for new build houses or flats, sufficient proof of the date of the availability for use must be provided.

This guarantee does not affect the consumer's rights as stipulated by law.

DOMUSA

T E K N I K

POSTAL ADDRESS

Mail box No 95
20730 AZPEITIA

HEADQUARTERS & FACTORY

B° San Esteban s/n
20737 ERREZIL (Gipuzkoa)
Tel: (+34) 943 813 899

www.domusateknik.com

DOMUSA TEKNIK reserves the right to make modifications of any kind to its product characteristics without prior notice.



CDOC001612

05/17