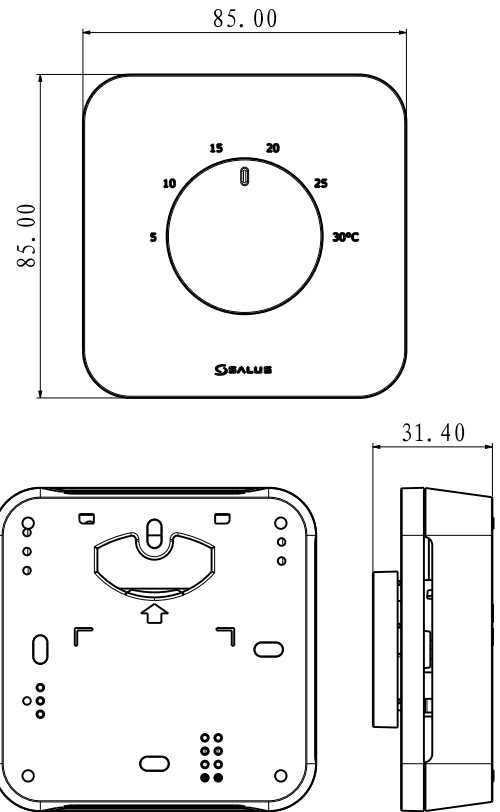


Product Technical Datasheet

Electronic room thermostat for surface heating systems and radiators. The unit is surface mounted or on a wall outlet. The thermostat has a valve protection function and frost protection.

Technische Merkmale:

HTR24	
Voltage	24V AC, +-10%, 50/60 Hz
Operating Performance	24 V: 1,8 W
Temperature setback	2K or 4K
Temperature range	5°C – 30°C
Span	+/- 0,5 K
Calibration	yes, with jumpers
Storage temperature	-20°C to + 60°C
Ambient temperature	max. 45 °C
Degree of protection	IP 30
CE conformity according to	Class II (EN60730)
Housing material	PC, V2
Colour	RAL9010 pure white
Connection	screw terminals
Weight	90 g net / 135 g gross
Puls-Weiten-Modulation	yes
Valve protection	yes
Heating and Cooling	yes, external Signal on CO (24V)
Cooling blocked	yes, with jumper
Dimensions	80mm x 80mm x 25mm



HTR24 Switching Bridges			
Switch	Features	ON	OFF
VP	Valve protection feature	<input checked="" type="checkbox"/> <input checked="" type="checkbox"/> <input type="checkbox"/>	<input type="checkbox"/> <input checked="" type="checkbox"/> <input checked="" type="checkbox"/>
PWM	Pulse-Width-Modulation	<input checked="" type="checkbox"/> <input checked="" type="checkbox"/> <input type="checkbox"/>	<input type="checkbox"/> <input checked="" type="checkbox"/> <input checked="" type="checkbox"/>
	NSB Function (2° or 4°)	2°C <input checked="" type="checkbox"/> <input checked="" type="checkbox"/> <input type="checkbox"/>	4°C <input type="checkbox"/> <input checked="" type="checkbox"/> <input checked="" type="checkbox"/>
CO	Heating/Cooling	Enable <input checked="" type="checkbox"/> <input checked="" type="checkbox"/> <input type="checkbox"/>	Disable <input type="checkbox"/> <input checked="" type="checkbox"/> <input checked="" type="checkbox"/>

Connection	230V Description
	Supply for temperature setback
N	Neutral
L	230 VAC Current Phase
	Switching Output
CO	Changeover Heat / Cool

